



WARNINGS

Before you begin assembling this simulator, please read all installation instructions and warnings thoroughly.

FAILURE TO COMPLY WITH OR OBSERVE ALL ASSEMBLY, SAFETY AND OPERATION INSTRUCTIONS AND WARNINGS REGARDING THE USE OF THIS PRODUCT MAY RESULT IN SERIOUS BODILY INJURY.

This simulator complies with the prescribed safety regulations. Inappropriate use may cause damage to persons and simulator.

USER MANUAL

revision 01 / 06.2023

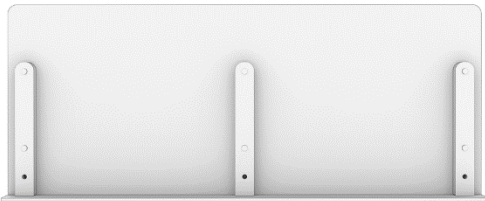
A1 Keyboard tray Kit

WHAT'S INCLUDED

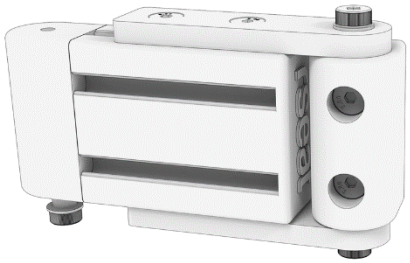
1



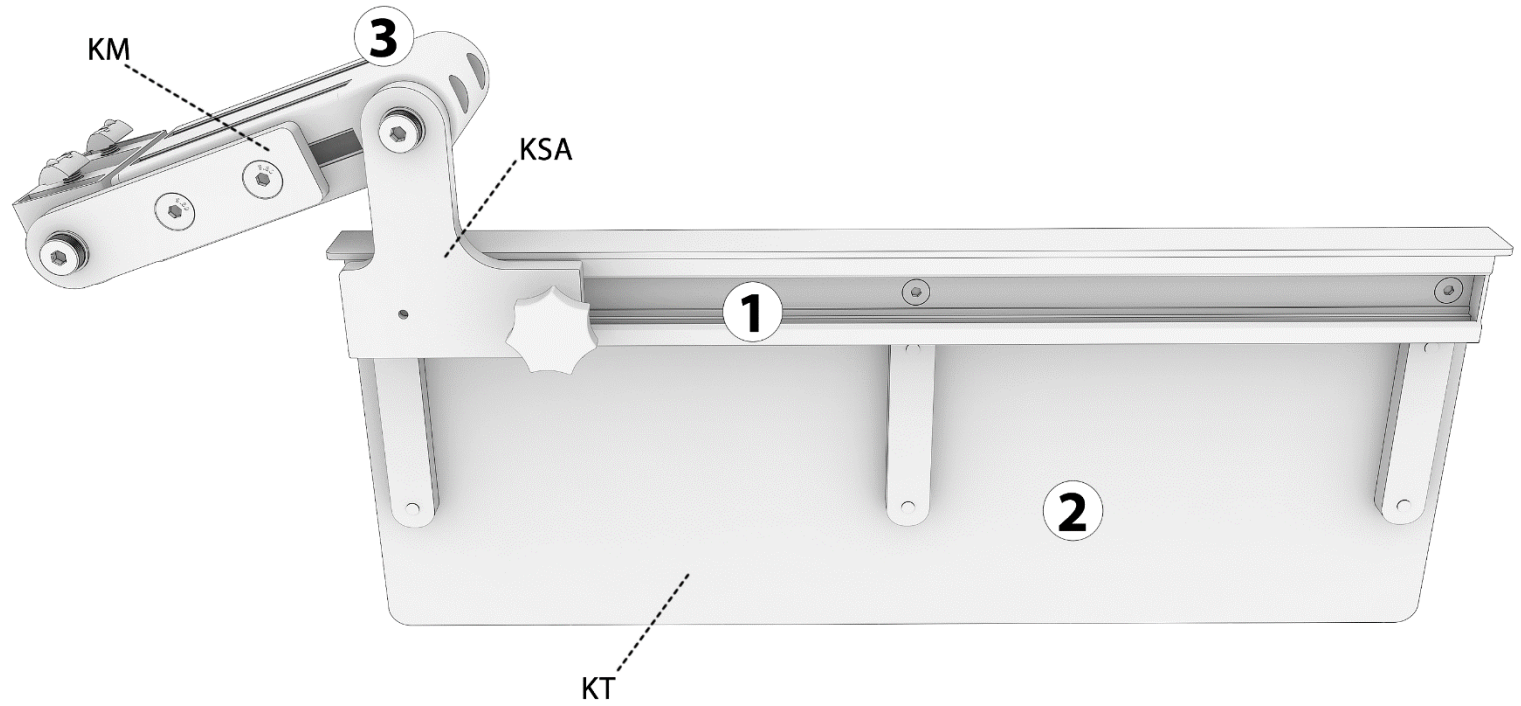
2



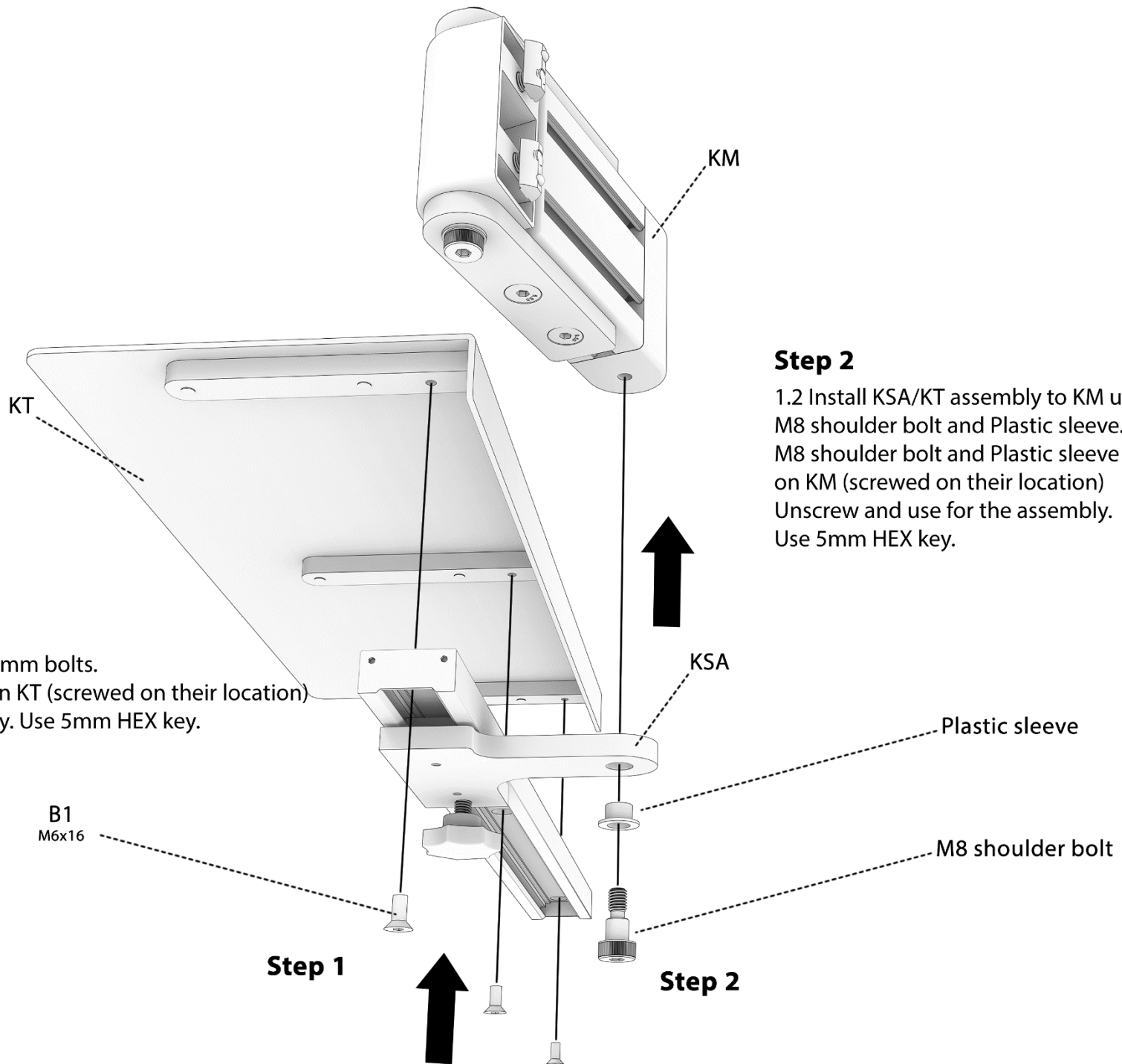
3



- | | |
|---|--|
| 1 | A1 Keyboard tray slider assembly (KSA) |
| 2 | A1 Keyboard tray assembly (KT) |
| 3 | A1 Keyboard mount (KM) |



1 KEYBOARD TRAY ASSEMBLY



Step 1

1.1 KSA to KT using 3 x B1 M6x16mm bolts.
B1 M6x16mm bolts are located on KT (screwed on their location)
Unscrew and use for the assembly. Use 5mm HEX key.

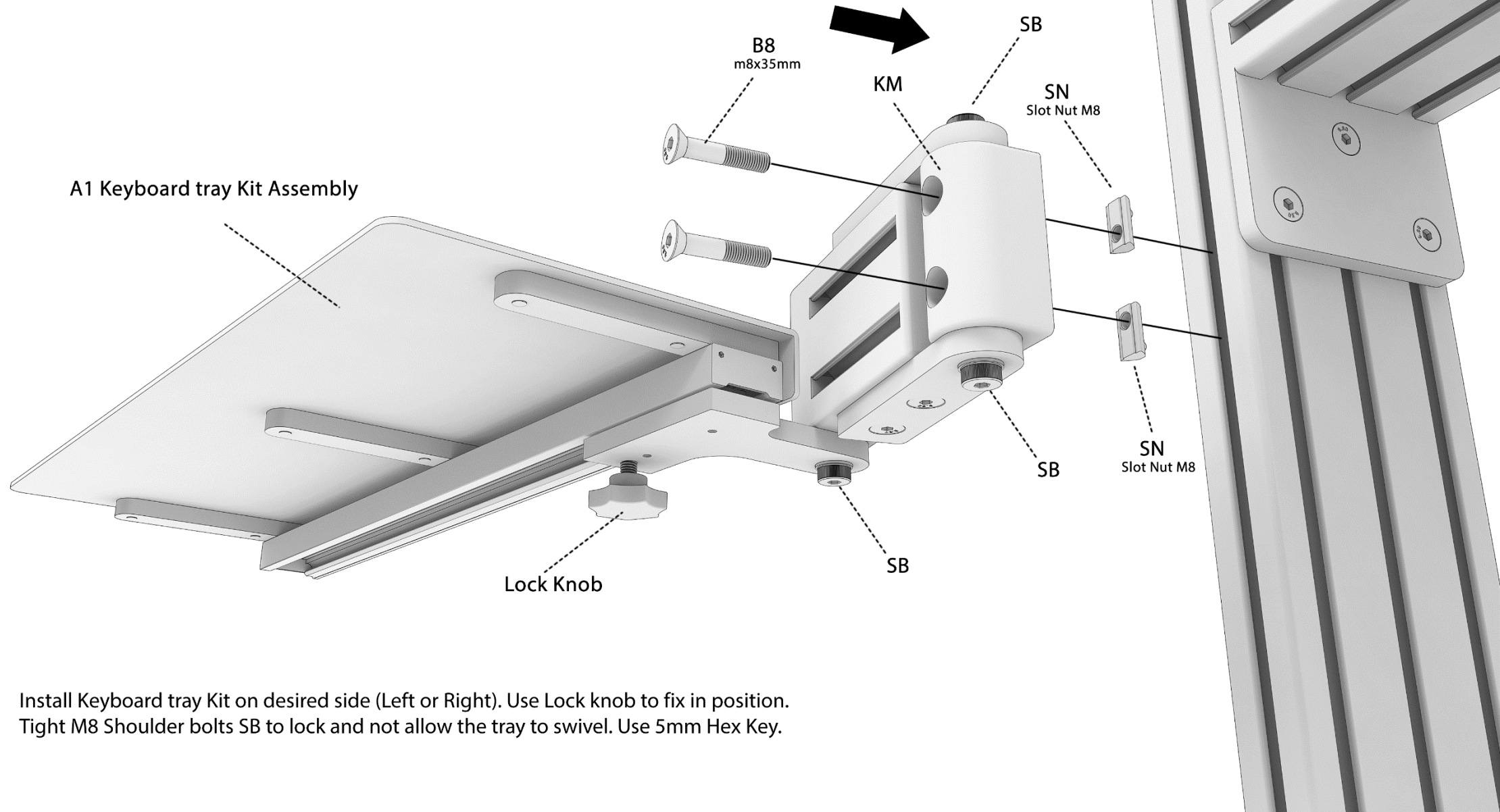
Step 2

1.2 Install KSA/KT assembly to KM using
M8 shoulder bolt and Plastic sleeve.
M8 shoulder bolt and Plastic sleeve are located
on KM (screwed on their location)
Unscrew and use for the assembly.
Use 5mm HEX key.

KEYBOARD TRAY ASSEMBLY

Step 3

1.3 Install A1 Keyboard tray Kit assembly to any RSEAT A1 chassis using 2 x B8 M8 x35mm bolts and M8 Slot nuts. M8x35mm bolts and M8 slot nuts are located on KM (screwed on their location) Unscrew and use for the assembly. Use 5mm HEX key.



Install Keyboard tray Kit on desired side (Left or Right). Use Lock knob to fix in position. Tight M8 Shoulder bolts SB to lock and not allow the tray to swivel. Use 5mm Hex Key.