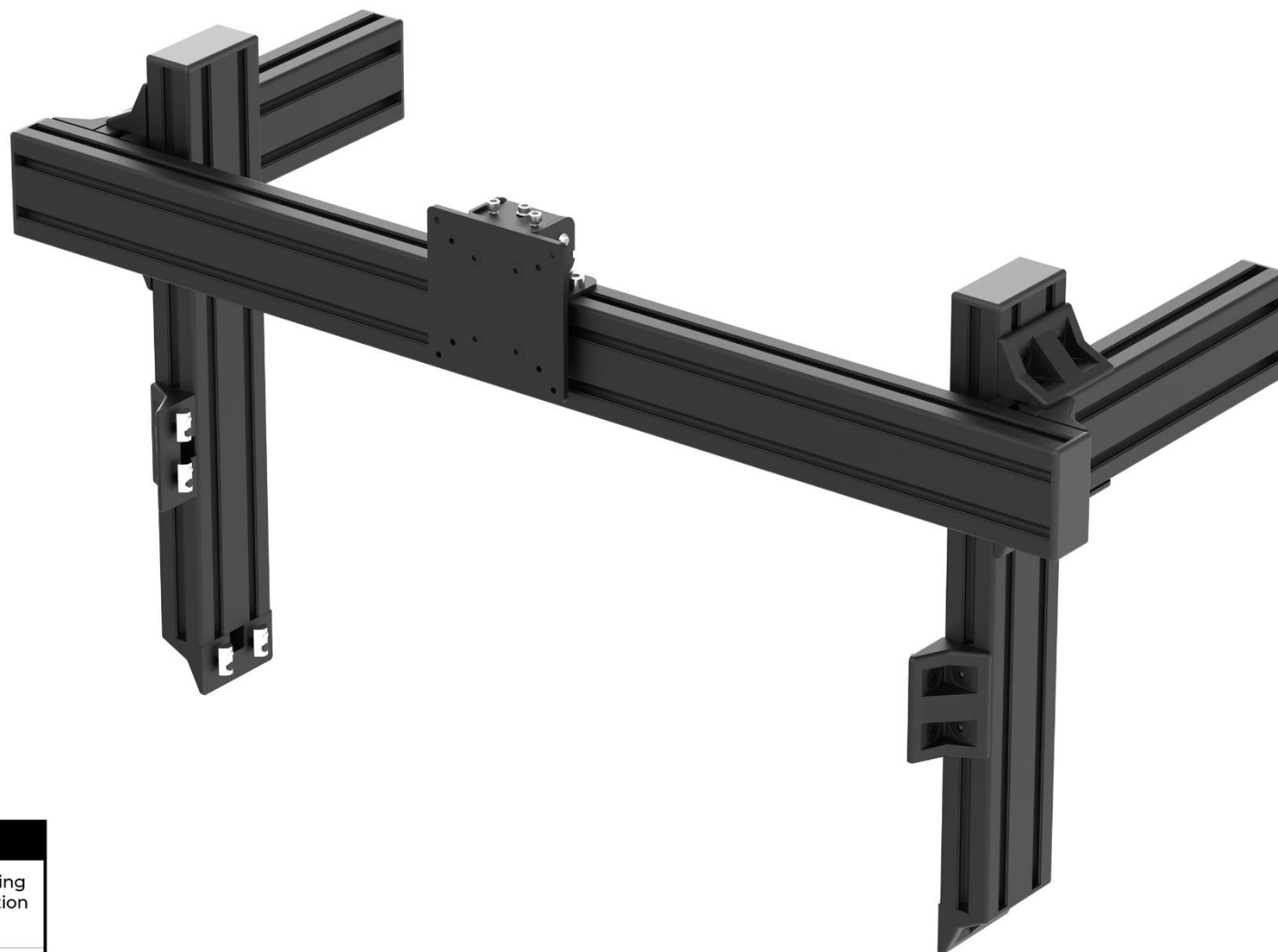


# ASSEMBLY INSTRUCTION

revision 02 / 1.2024



## WARNINGS

Before you begin assembling this sim racing cockpit add-on kit, please read all installation instructions and warnings thoroughly.

**FAILURE TO COMPLY WITH OR OBSERVE ALL ASSEMBLY, SAFETY AND OPERATION INSTRUCTIONS AND WARNINGS REGARDING THE USE OF THIS PRODUCT MAY RESULT IN SERIOUS BODILY INJURY.**

This product complies with the prescribed safety regulations. Inappropriate use may cause injury.

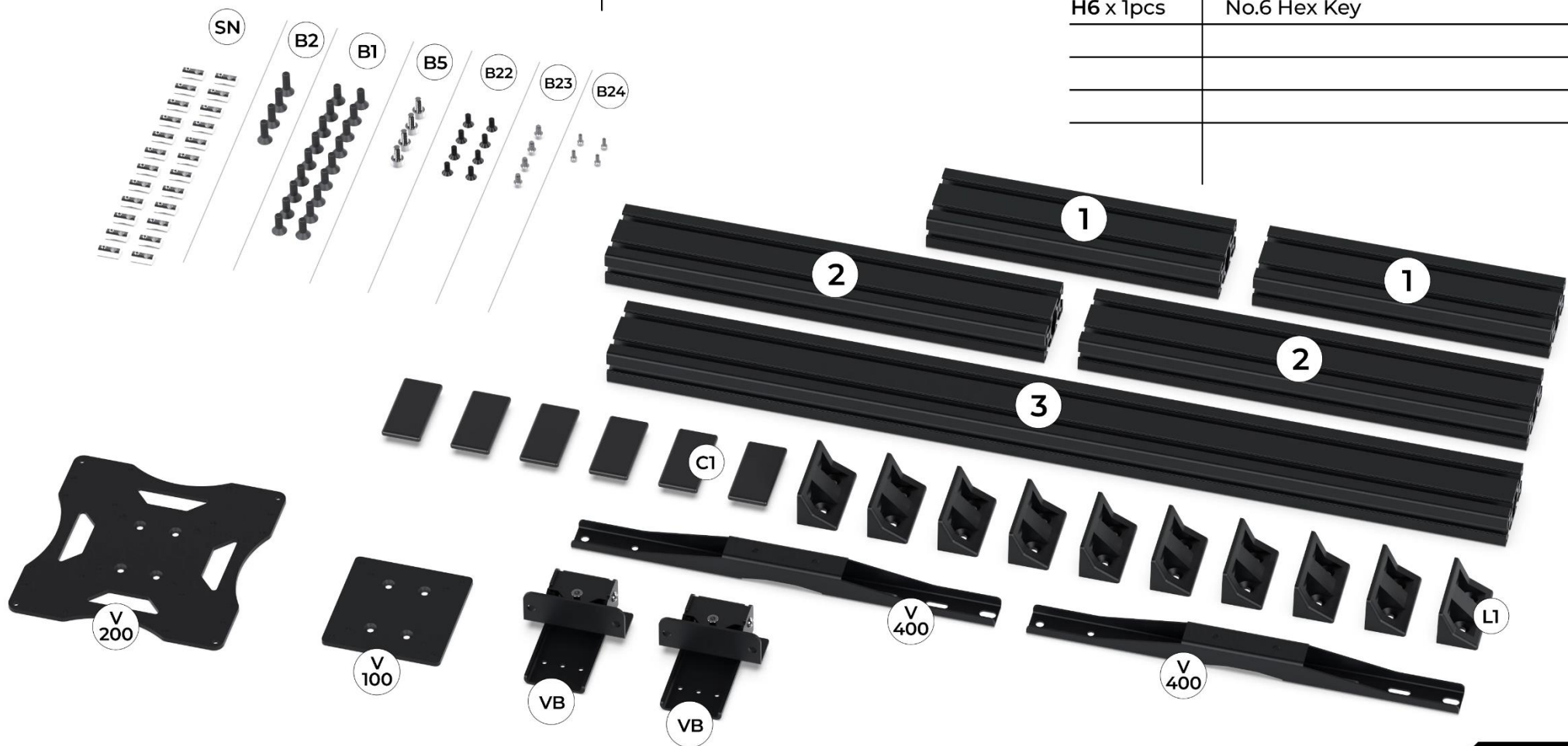
# A1-SX55

**Table of contents**

1 x 2pcs	Profile 80x40 L300mm
2 x 2pcs	Profile 80x40 L450mm
3 x 1pcs	Profile 80x40 L900mm
L1 x 10pcs	L-Bracket H80mm
C1 x 6pcs	L-Bracket H80mm
VB x 2 pairs	Vesa Mounting bracket kit
V100 x 1pcs	100x100 VESA Support
V200 x 1pcs	Up to 200x200 VESA Support
V400 x 2pcs	Up to 400x800 VESA Support

**6 Fasteners and tools**

SN x 24pcs	T-Nut M8 with ball insert
B1 x 18pcs	M8x16 countersunk
B2 x 4pcs	M8x20 countersunk
B5 x 5pcs	M8x16 din 912
B22 x 8pcs	M6x10 countersunk
B23 x 4pcs	M6x10 din 912
B24 x 4pcs	M4x16 din 912
H3 x 1pcs	No.3 Hex Key
H4 x 1pcs	No.4 Hex Key
H5 x 1pcs	No.5 Hex Key
H6 x 1pcs	No.6 Hex Key



## Inserting T-Slot-Nuts:

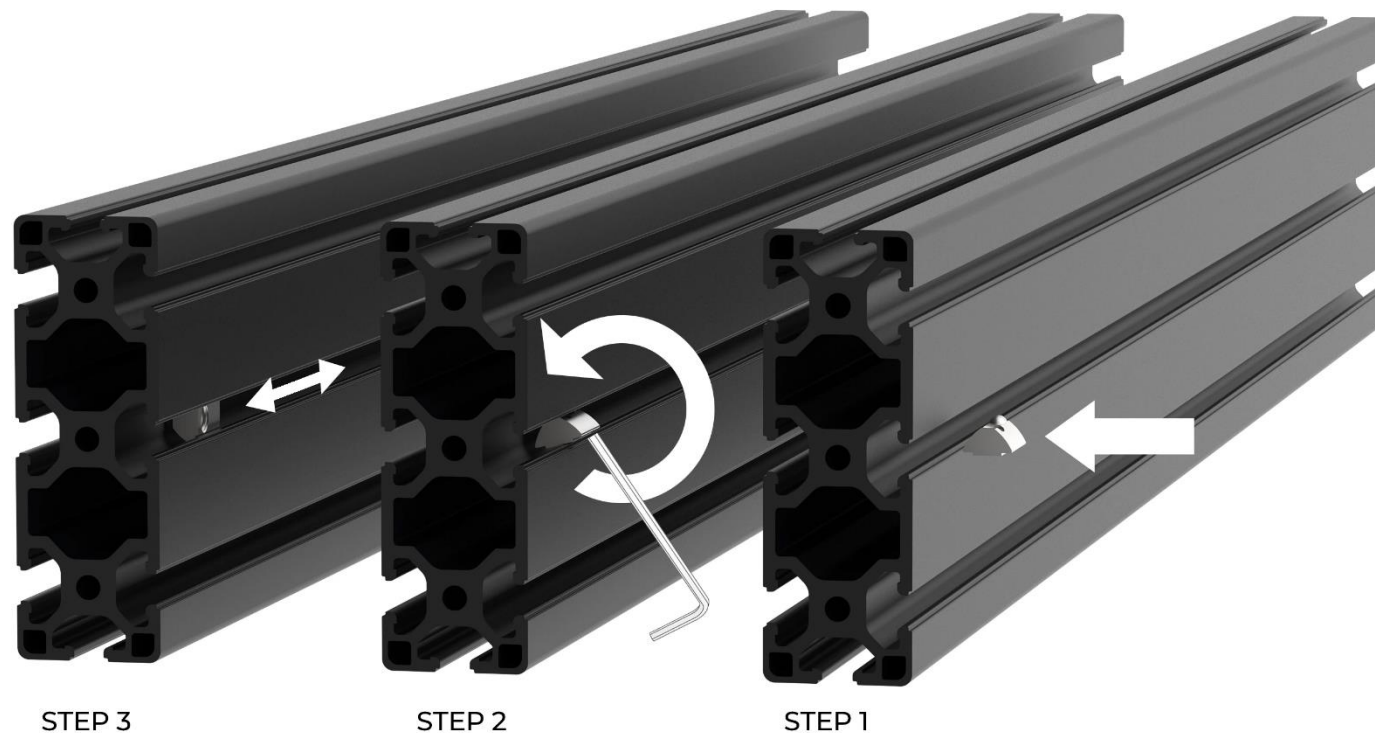
All feature Roll in T-Nut with Ball Spring- M8 thread. It loads either from the profile ends or side. The nut can be easily rolled into the T-Slot. This helps where the profile ends are inaccessible (for example, installing accessories later on) The ball with a spring inside the nut, fixate it into place. It is self-aligning, so the thread will always be in the middle of the T-slot and will not fall down the T-Slot even if it's in vertical position when assembling the chassis (easy for the assembly).

## Roll into T-Slot

**Step 1:** Put the T-Nut (part SN) into the T-Slot channel in horizontal position.

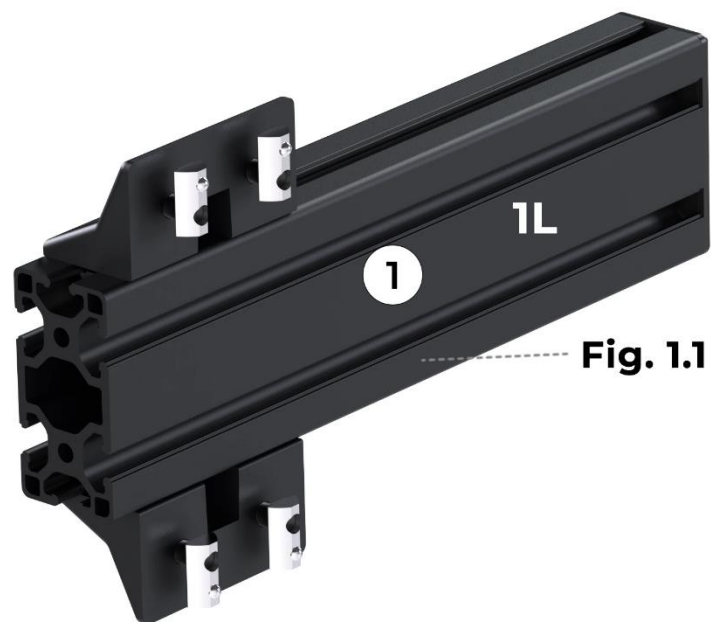
**Step 2:** Rotate the nut. You can use the No.5 Hex Key to help wiggle the Slot-Nut in place.

**Step 3:** Set the T-Nut in place. The guide step positions the nut parallel and central within the slot, which makes it easier to move the nut and prevents from twisting during tightening. The spring-loaded ball prevents an unwanted movement of the nut in the slot, which is highly desirable on a bed with the T-slots in a vertical position.

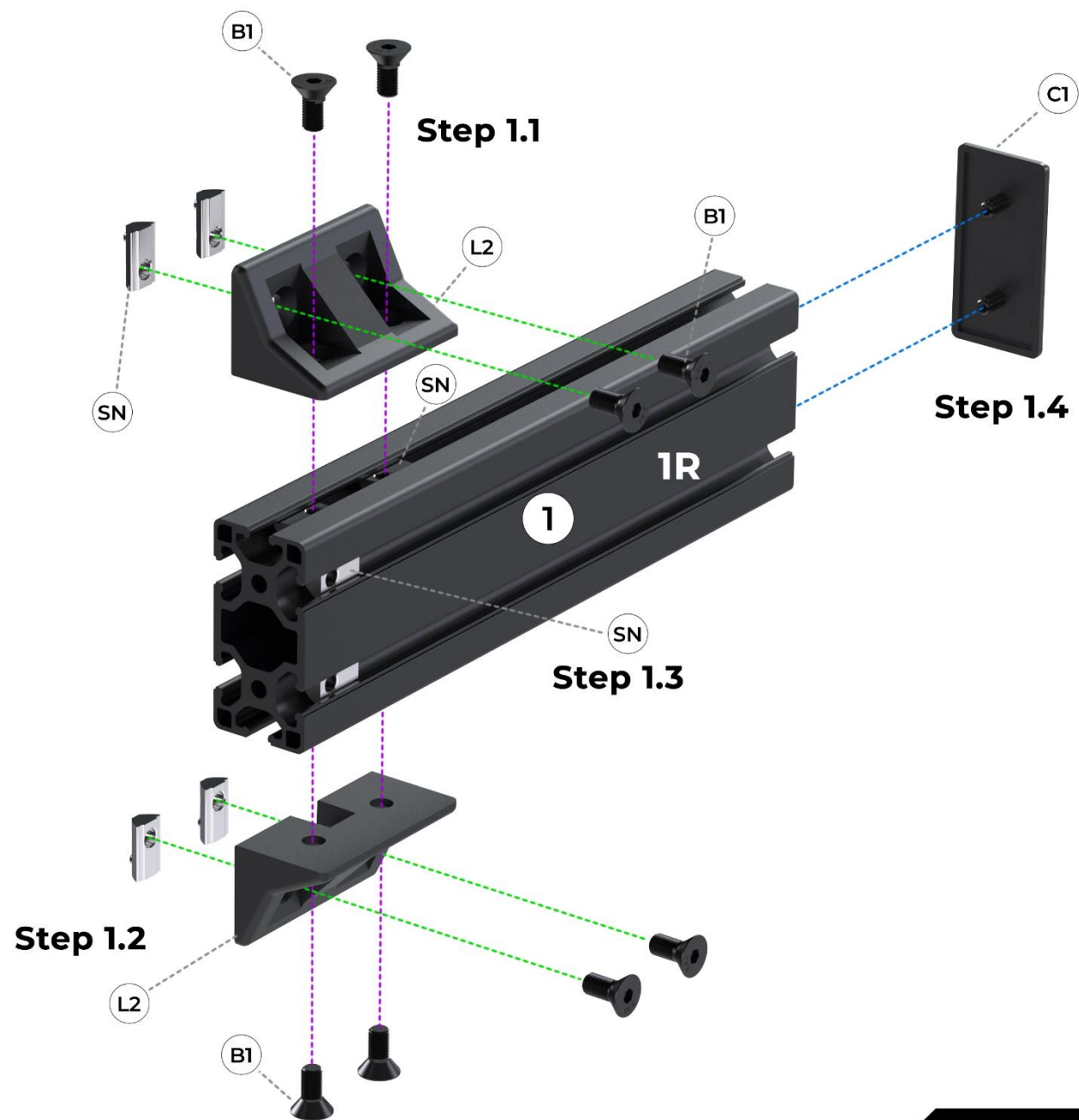


**Step 1.1, 1.2** Connect **L1** Bracket to assembly **1L** and **1R**. Use 4x **B1** M8 x 16 Countersunk to 4 x **SN** T-Nut. Screw by hand and do not tight. Align the brackets collinear. Just connect the bolts and T-Nuts with two turns with no tension. As per figure **1.1**  
Do this step for assembly **1L** and **1R**.

**Step 1.3** Insert 2 x **SN** T-Nut for assembly **1L** and **1R**.



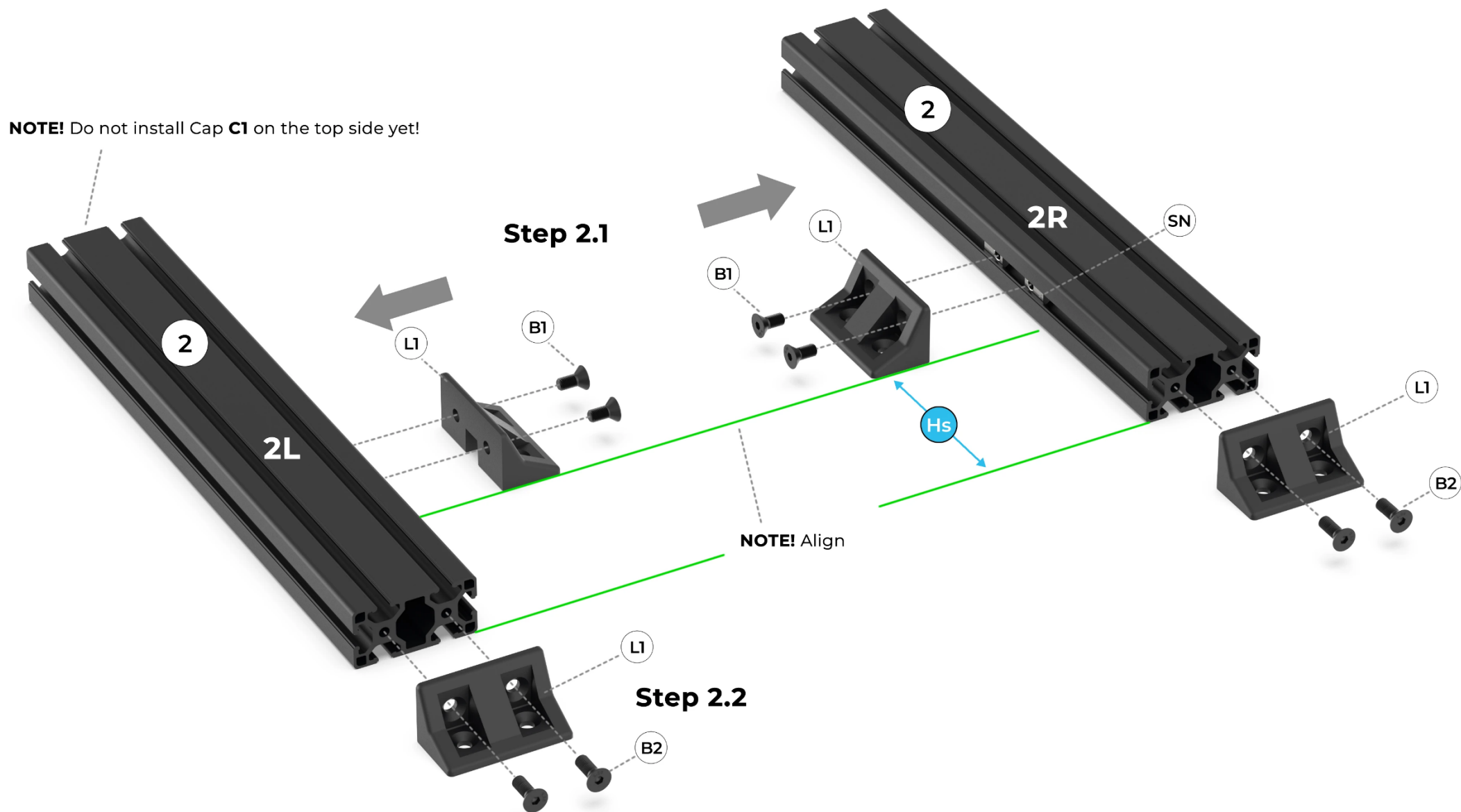
**Step 1.4** Install 1 x **C1** Plastic cap to **1L** and **1R** assembly rear end. Press by hand.



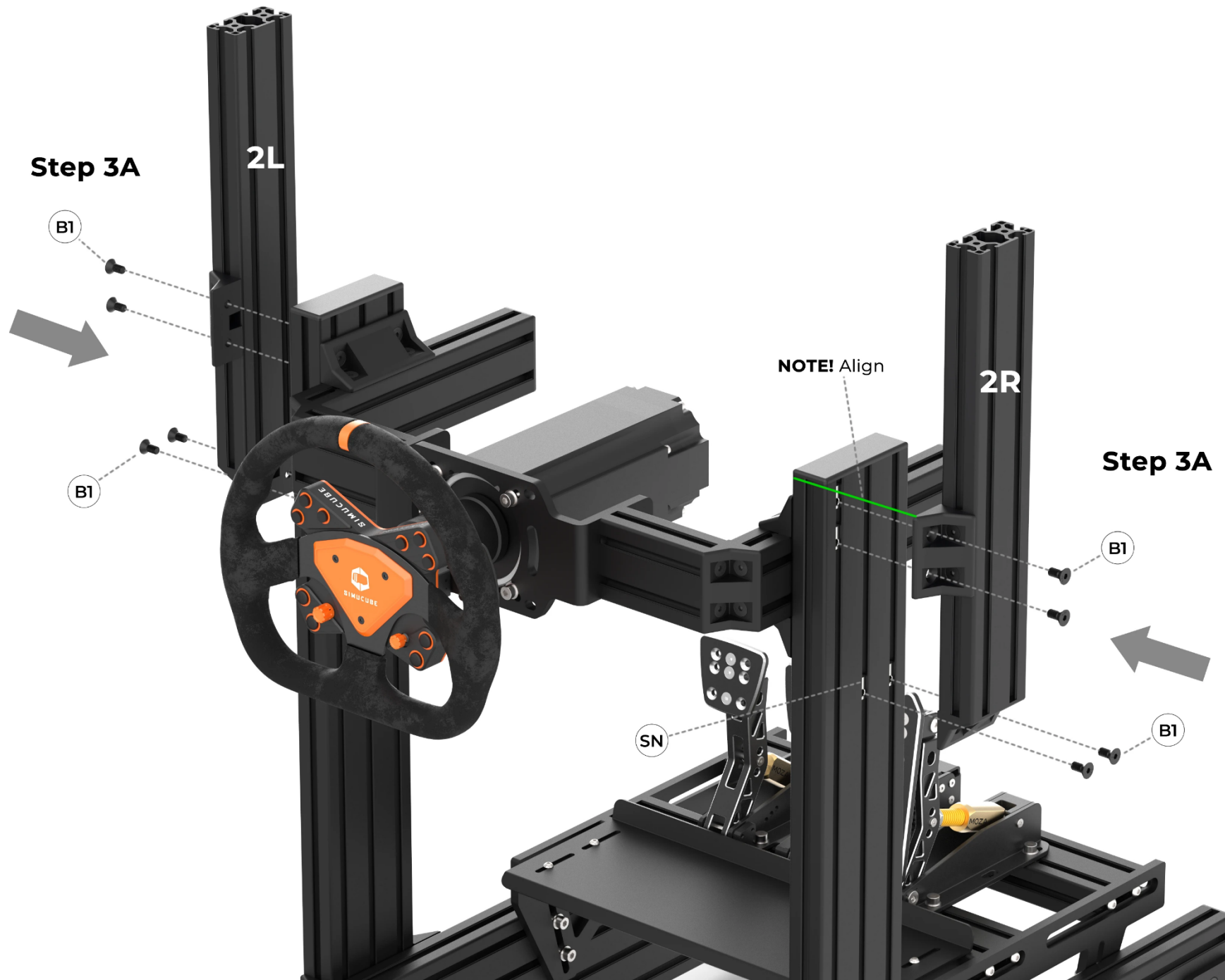
**Step 2.1** Install 2 x **L1** Brackets to assemblies **2L** and **2R**. Use 4 x **B1** - M8 x 16 Countersunk and 4 x **SN** T-Slot Nuts per profile. Use **No.5 Hex Key**.

**Hs** Height per chassis: **RSEAT AI-120 GT / AI-160GT** 120mm (4.7 inch), **RSEAT AI-120 Formula / AI-160 Formula** 240mm (9.4 inch)

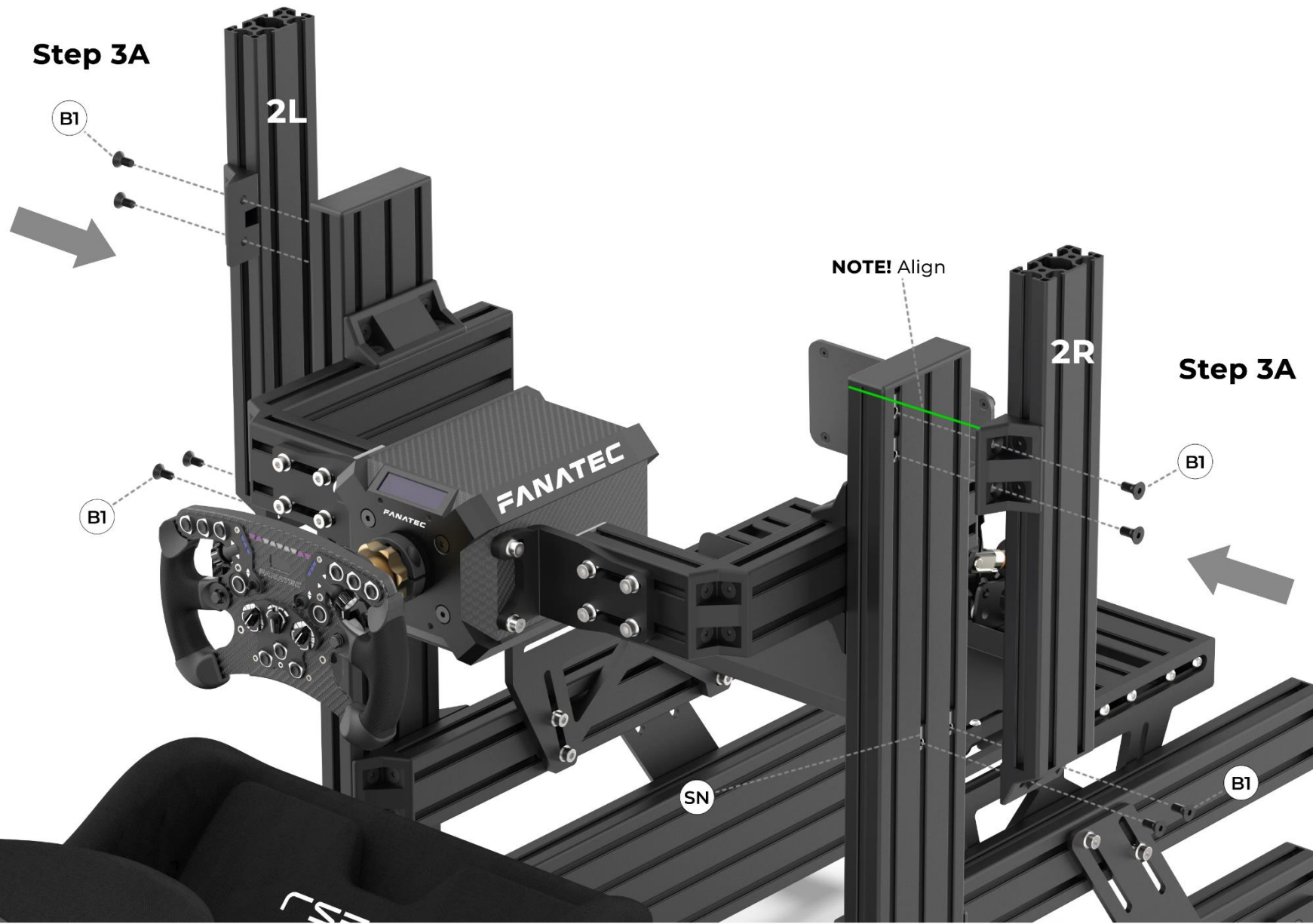
**Step 2.2** Install 2 x **L1** Brackets to assemblies **2L** and **2R**. Use 4 x **B2** - M8 x 20 Countersunk per profile. Use **No.5 Hex Key**.



**Step 3A** (Install to A1 GT Chassis) Install assemblies **2L** and **2R** to chassis. Use 4 x **B1** - M8 x 16 Countersunk and 4 x **SN** T-Slot nuts per assembly. Use **No.5 Hex Key**.



**Step 3B** (Install to A1-120 Formula / A1-160 Formula Chassis) Install assemblies **2L** and **2R** to chassis. Use 4 x **B1** - M8 x 16 Countersunk and 4 x **SN** T-Slot Nuts per assembly. Use **No.5 Hex Key**.

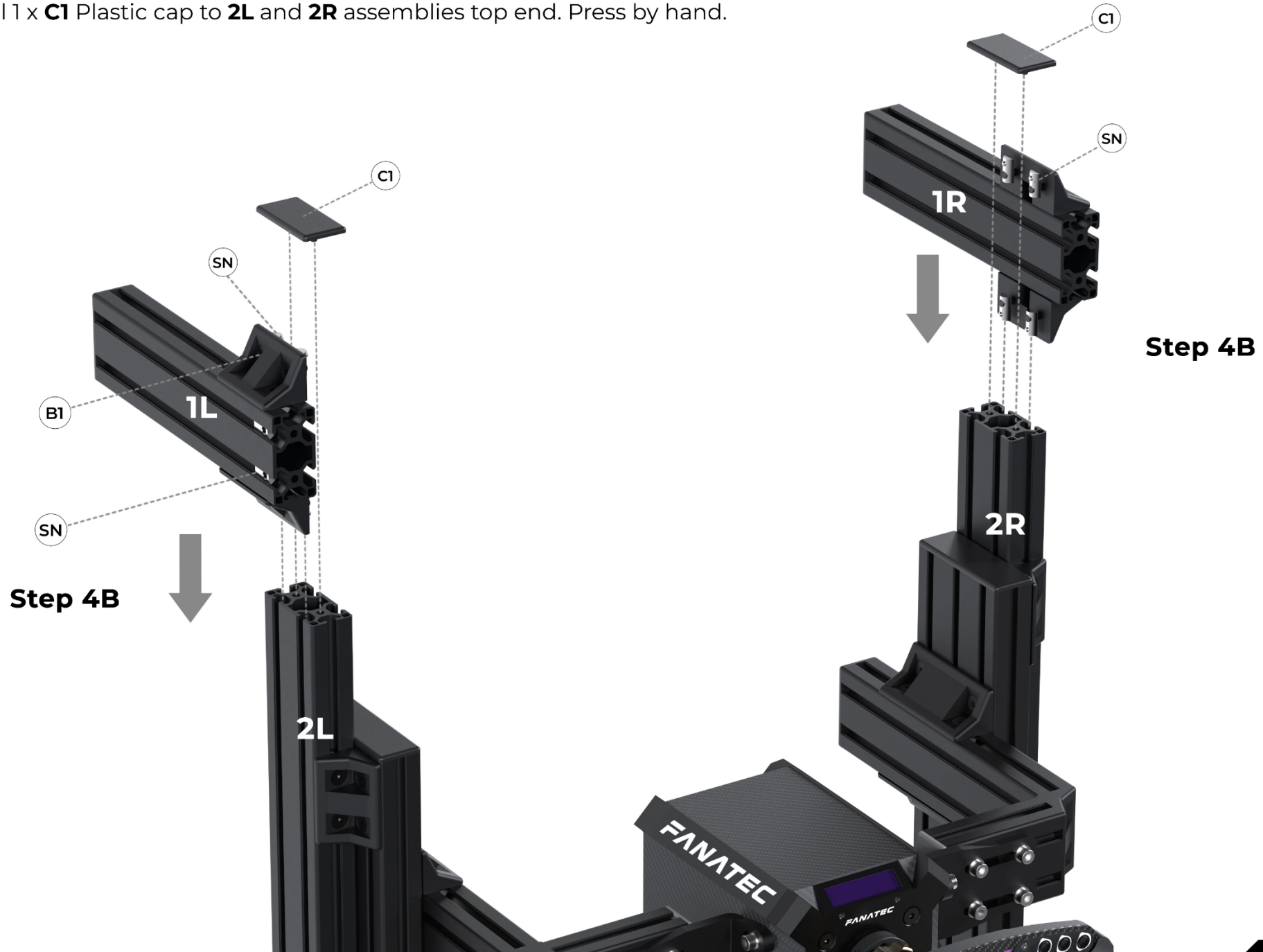


**Step 4A** (Install to AI GT Chassis) Slide assembly **1L** to **2L** and **1R** to **2R**. Align **SN** nuts to be parallel to the T-Slot channels. Align both assemblies **1L** and **1R** at same height and tight **B1** Fasteners using **No.5 Hex Key**. Install 1 x **C1** Plastic cap to **2L** and **2R** assemblies top end. Press by hand.



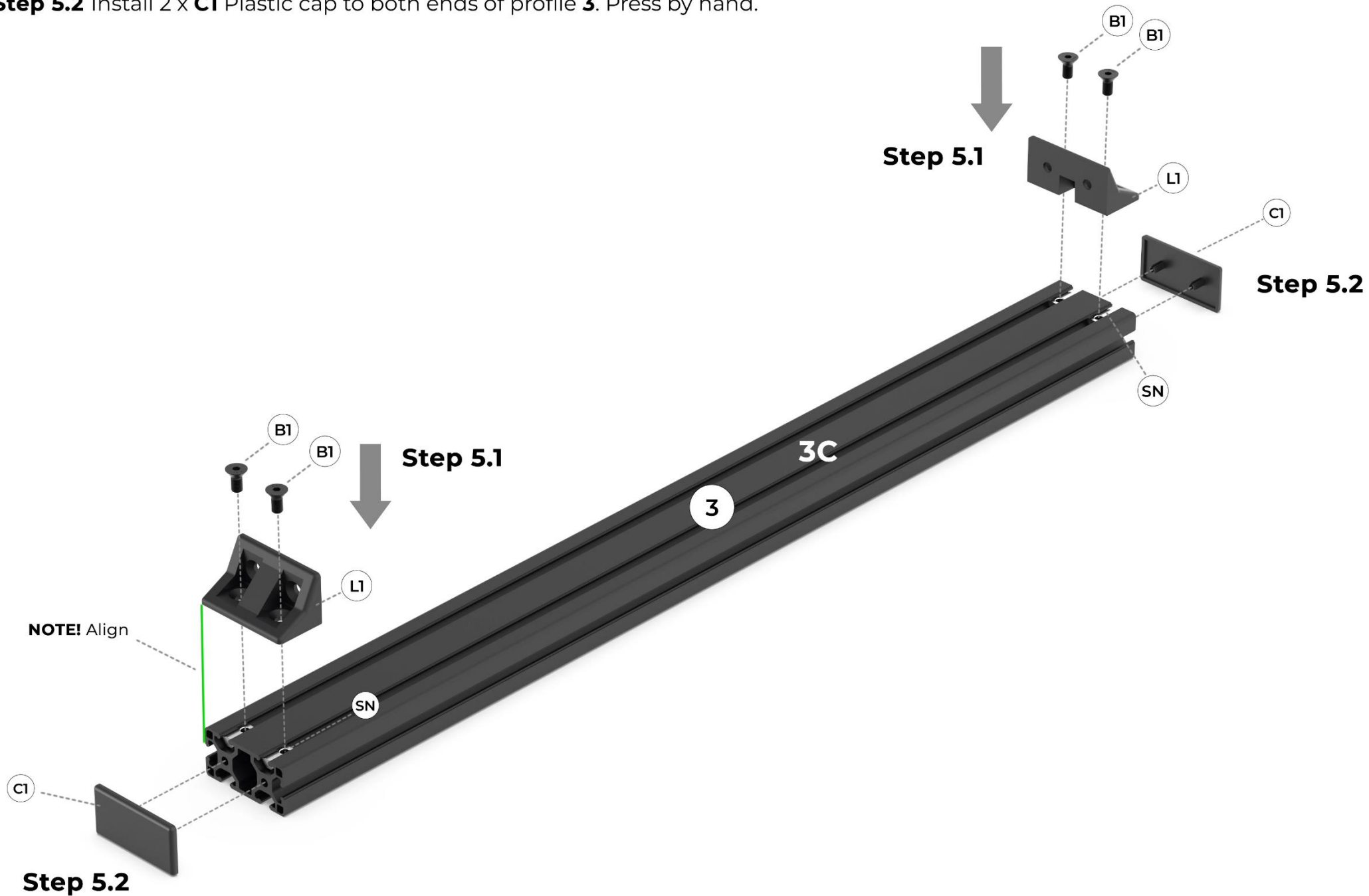


**Step 4B** (Install to A1-120 Formula / A1-160 Formula Chassis) Slide assembly **1L** to **2L** and **1R** to **2R**. Align **SN** nuts to be parallel to the T-Slot channels. Align both assemblies **1L** and **1R** at same height and tight **B1** Fasteners using **No.5 Hex Key**. Install 1 x **C1** Plastic cap to **2L** and **2R** assemblies top end. Press by hand.



**Step 5.1** Install 2 x **L1** Brackets to Profile **3**. Use 4 x **B1** - M8 x 16 Countersunk and 4 x **SN** T-Slot Nuts. Use **No.5 Hex Key**.

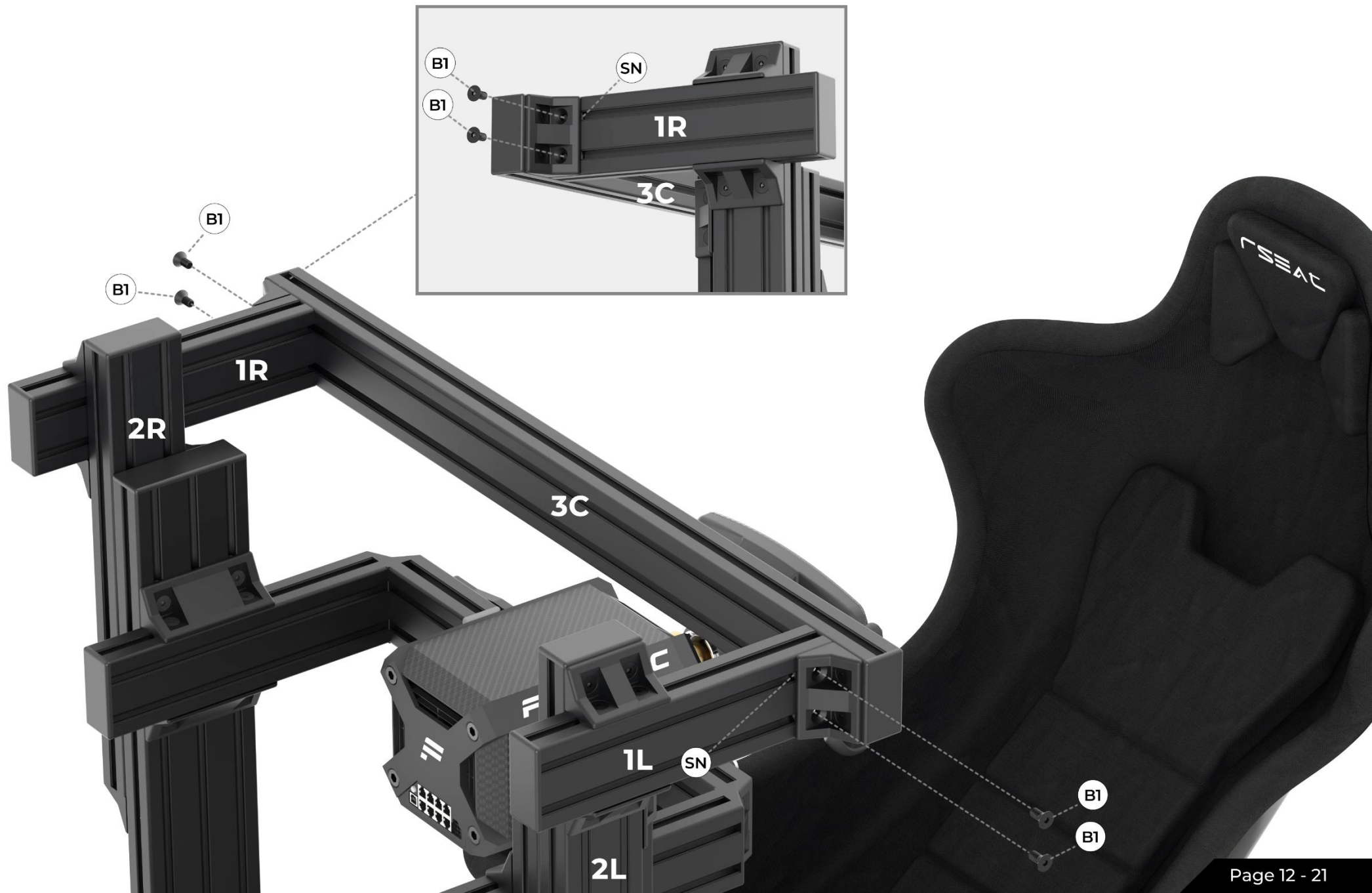
**Step 5.2** Install 2 x **C1** Plastic cap to both ends of profile **3**. Press by hand.



**Step 6A** Install assembly **3C** to assemblies **1L** and **1R**. Use 4 x **B1** - M8 x 16 Countersunk. Use **No.5 Hex Key**.



**Step 6B** Install assembly **3C** to assemblies **1L** and **1R**. Use 4 x **B1** - M8 x 16 Countersunk. Use **No.5 Hex Key**.



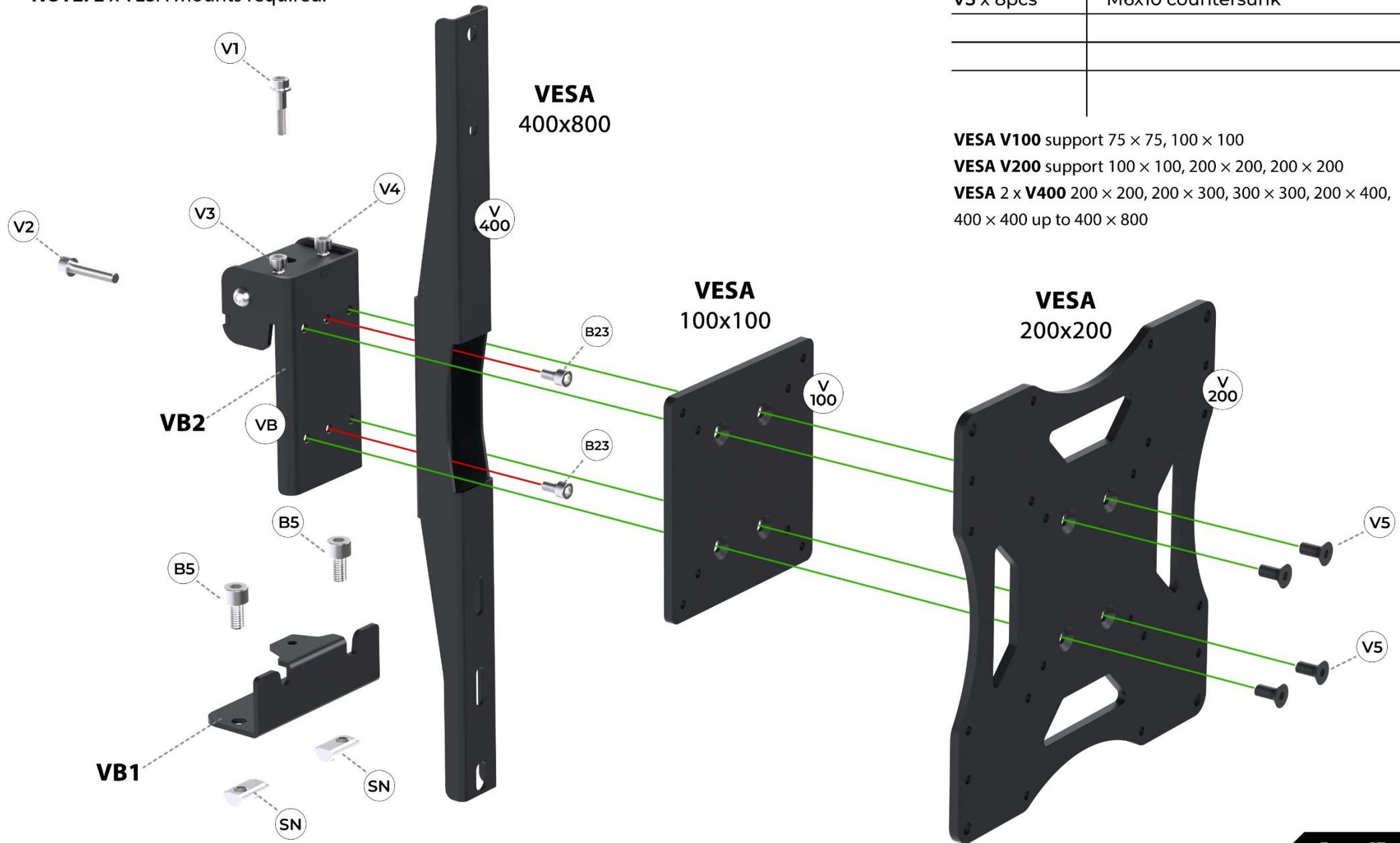
**Step 7** VESA Assembly and setup.

If **VESA** up to **100x100** - Connect **V100** to **VB2** using 4 x **V57** M6x10mm countersunk.

If **VESA** up to **200x200** - Connect **V200** to **VB2** using 4 x **BV7** M6x10mm countersunk.

If **VESA** up to **400x800** - Connect **V400** to **VB2** using 2 x **B23** M6x10mm din 912.

**NOTE!** 2 x VESA mounts required.

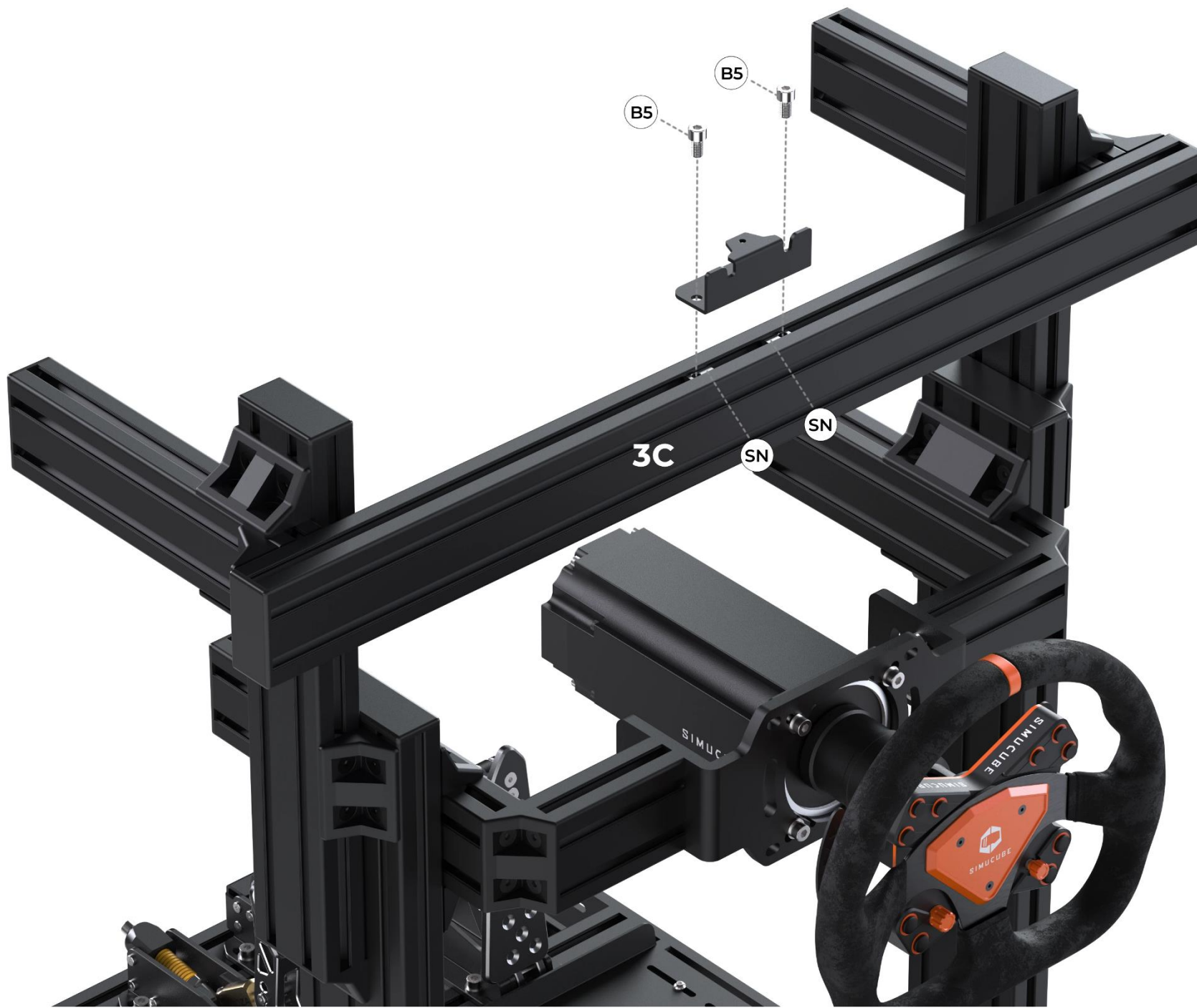


**6 Fasteners and tools**

V1 x 6pcs	M6x25 din 912
V2 x 2pcs	M6x35 din 912
V3, V4 x 4pcs	M8x16 din 912
V5 x 8pcs	M6x10 countersunk

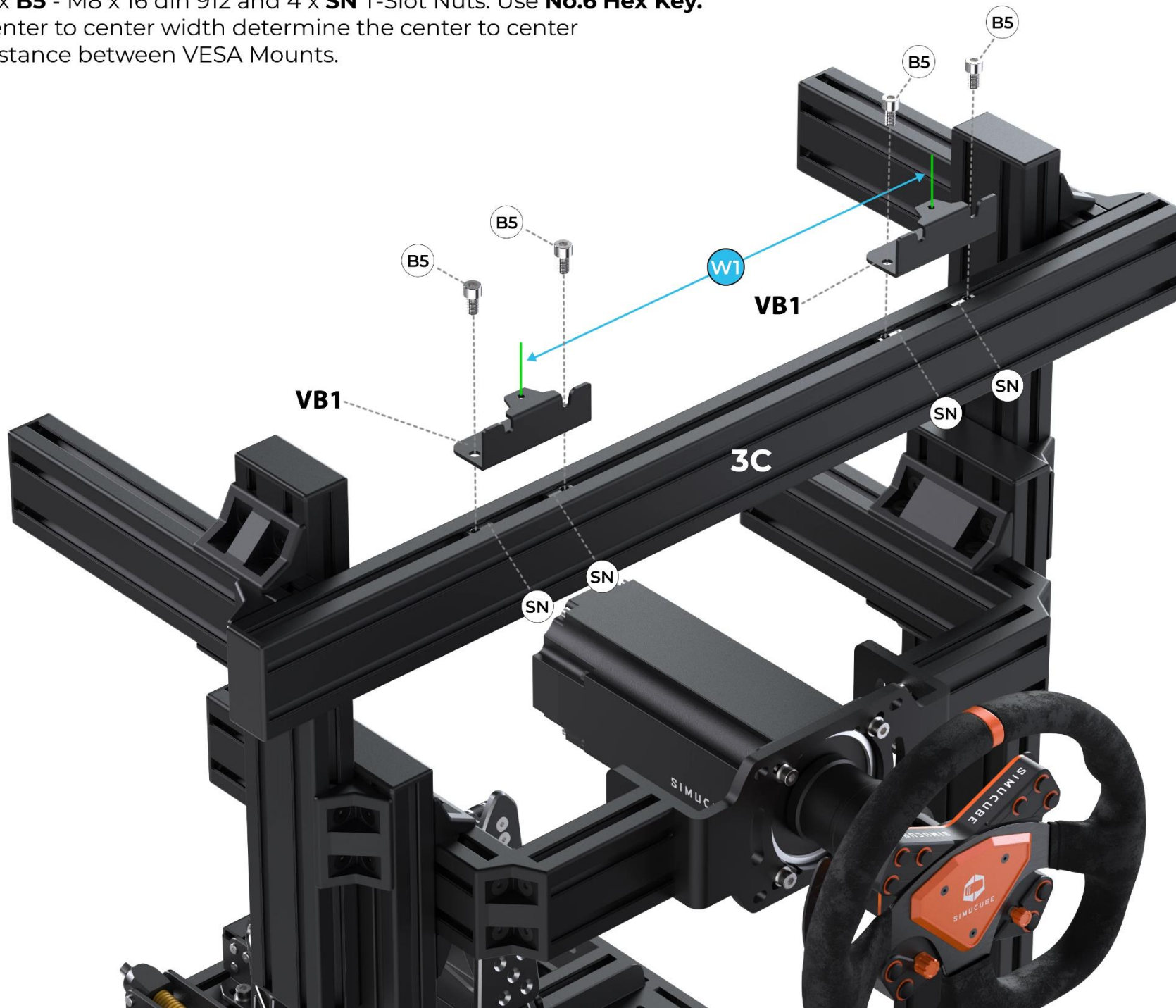
**VESA V100** support 75 × 75, 100 × 100  
**VESA V200** support 100 × 100, 200 × 200, 200 × 200  
**VESA 2 x V400** 200 × 200, 200 × 300, 300 × 300, 200 × 400, 400 × 400 up to 400 × 800

**Step 8A1** For VESA 100x100 and VESA 200x200 Install **VB1** (VESA Mounting bracket. See step 7) to Assembly **3C**. Use 2 x **B5** - M8 x 16 din 912 and 2 x **SN** T-Slot Nuts. Use **No.6 Hex Key**.

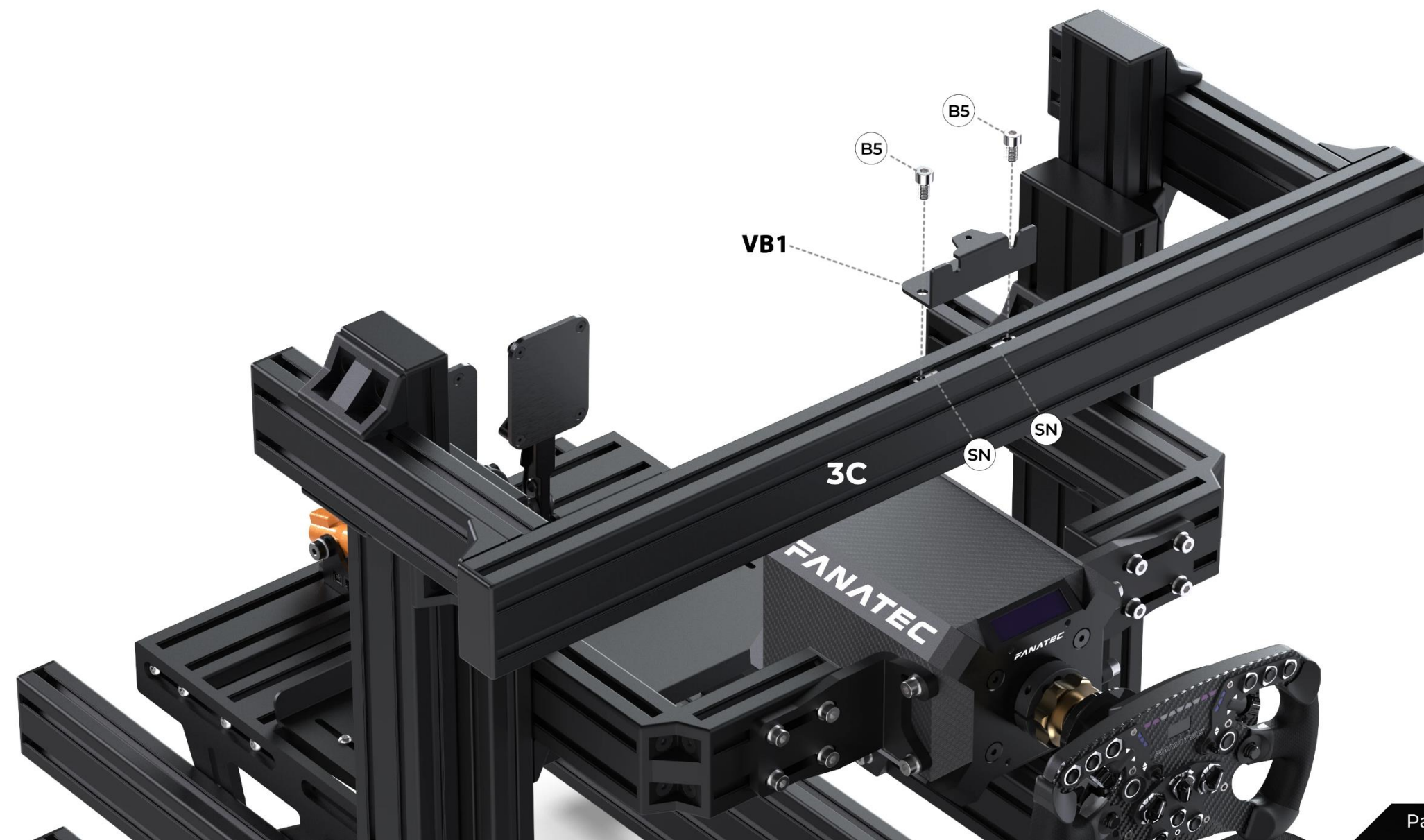


**Step 8A2** For VESA 300 x 300 up to 400 x 800 Install 2 x **VB1** (VESA Mounting bracket. See step 7) to Assembly **3C**. Use 4 x **B5** - M8 x 16 din 912 and 4 x **SN** T-Slot Nuts. Use **No.6 Hex Key**.

**W1** Center to center width determine the center to center distance between VESA Mounts.



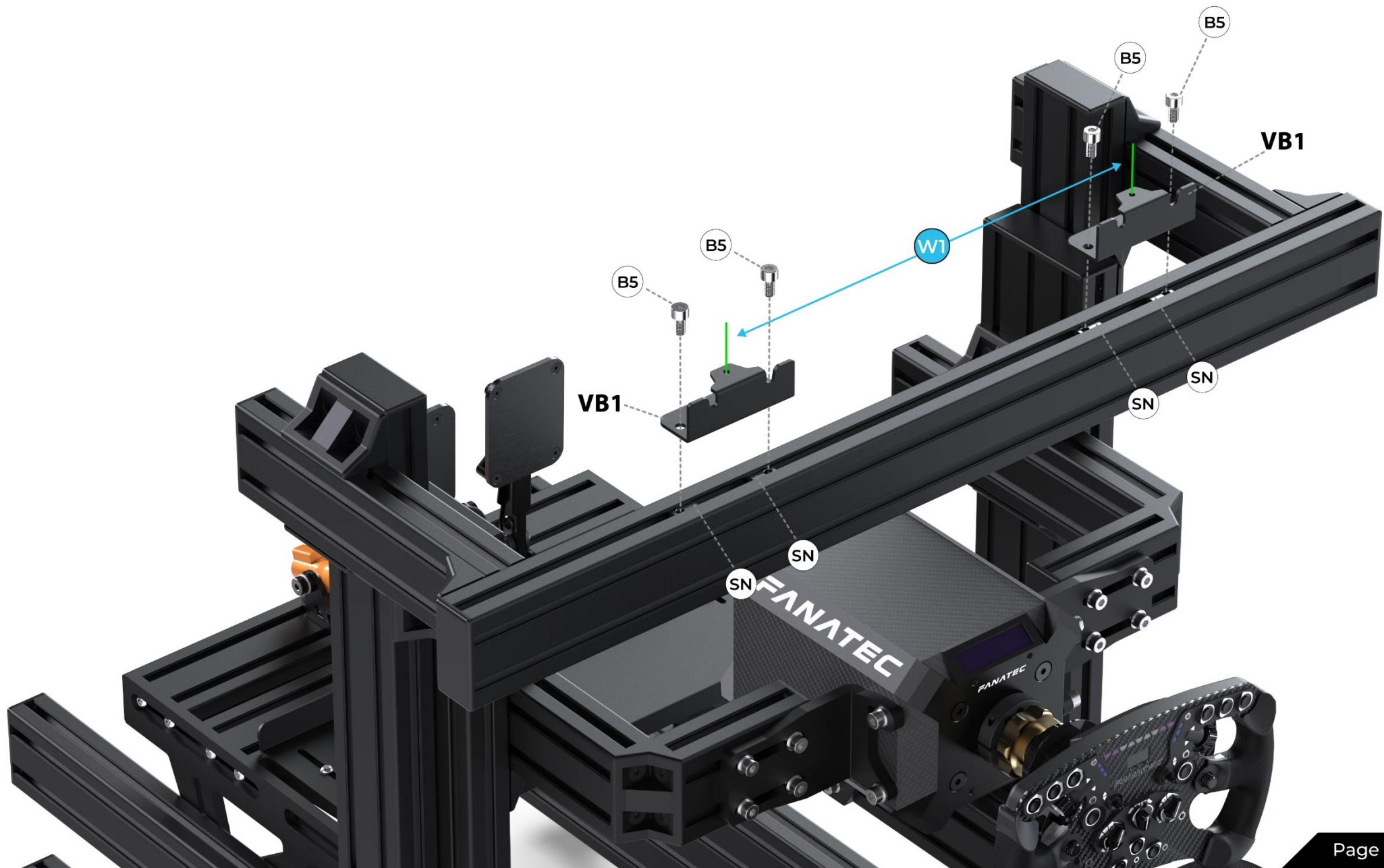
**Step 8B1** For VESA 100x100 and VESA 200x200 Install **VB1** (VESA Mounting bracket. See step 7) to Assembly **3C**. Use 2 x **B5** - M8 x 16 din 912 and 2 x **SN** T-Slot Nuts. Use **No.6 Hex Key**.





**Step 8B2** For VESA 300 x 300 up to 400 x 800 Install 2 x **VB1** (VESA Mounting bracket. See step 7) to Assembly **3C**. Use 4 x **B5** - M8 x 16 din 912 and 4 x **SN** T-Slot Nuts. Use **No.6 Hex Key**.

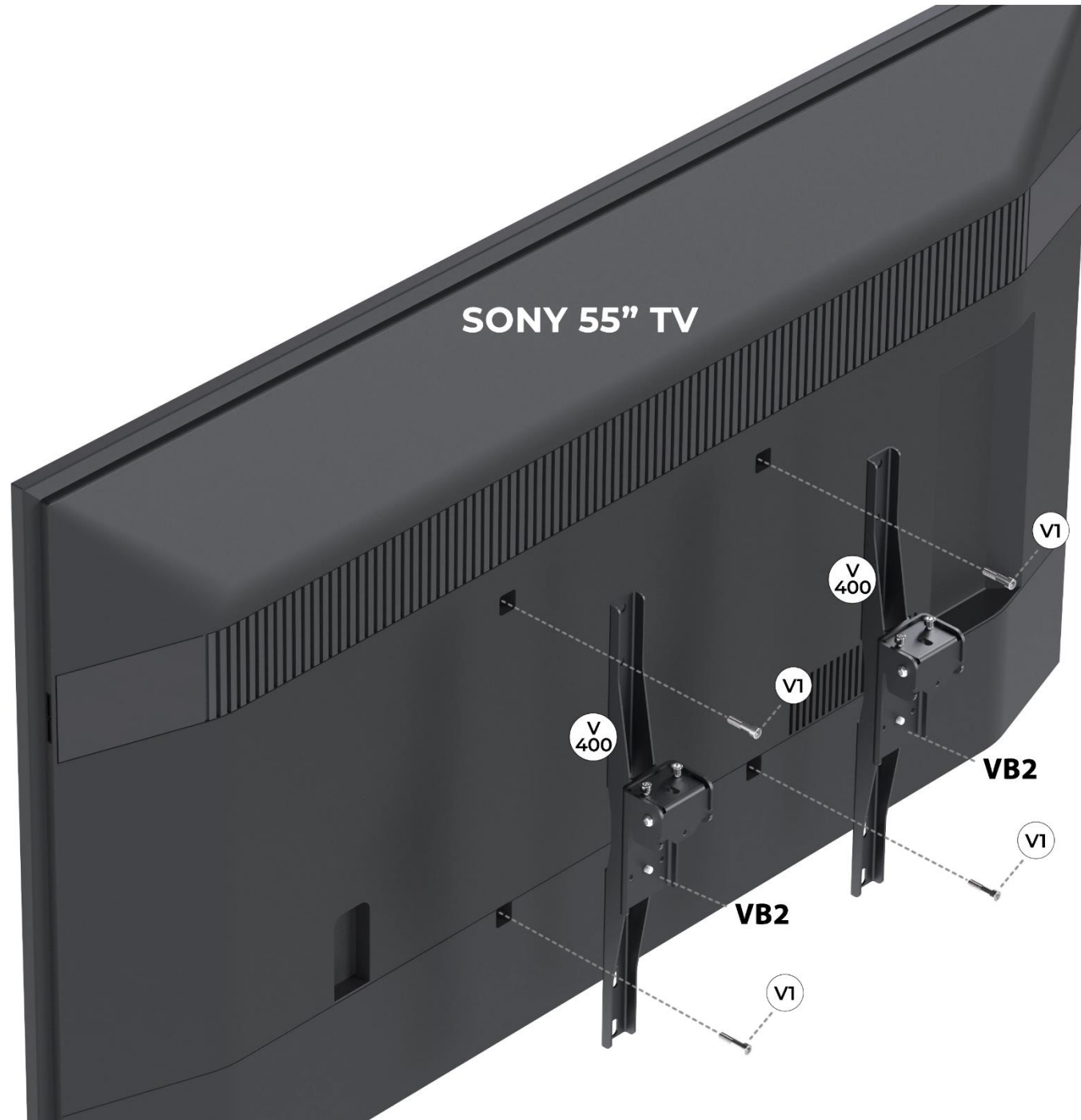
**W1** Center to center width determine the center to center distance between VESA Mounts.



**Step 9A** Install **V100/VB2** assembly to Monitor with the supported fasteners.  
In this case, we use the provided 4 x **B24** M4x16 din 912 for 49 inch ultrawide monitor and VESA 100x100 support.  
Use **No.3 Hex Key**.



**Step 9B** Install 2 x **V400/VB2** assembly to TV with the supported fasteners.  
In this case, we use the provided 4 x **V1** M6x25 din 912 for 55 inch TV and VESA 300x300 support.  
Use **No.5 Hex Key**.



**Step 10A.1** Install **VB2** assembly to **VB1** bracket. Slide the monitor down on the **VB1** bracket.

**Step 10A.2** Adjust the horizontal alignment. Set up the horizontal alignment via **V3** and **V4** bolts. Use **No.5 Hex Key**.

**Step 10A.3** Lock the horizontal alignment position with **V1**. Secure the entire assembly with **V2** bolt. Use **No.5 Hex Key**.



**Step 10B.1** Install **VB2** assembly to **VB1** bracket. Slide the TV down on the **VB1** brackets.

**Step 10B.2** Adjust the horizontal alignment. Set up the horizontal alignment via **V3** and **V4** bolts. Use **No.5 Hex Key**.

**Step 10B.3** Lock the horizontal alignment position with **V1**. Secure the entire assembly with **V2** bolt. Use **No.5 Hex Key**.

