

ASSEMBLY INSTRUCTION

revision 02 / 2.2024



WARNINGS

Before you begin assembling this sim racing cockpit add-on kit, please read all installation instructions and warnings thoroughly.

FAILURE TO COMPLY WITH OR OBSERVE ALL ASSEMBLY, SAFETY AND OPERATION INSTRUCTIONS AND WARNINGS REGARDING THE USE OF THIS PRODUCT MAY RESULT IN SERIOUS BODILY INJURY.

This product complies with the prescribed safety regulations. Inappropriate use may cause injury.

TX43

Table of contents

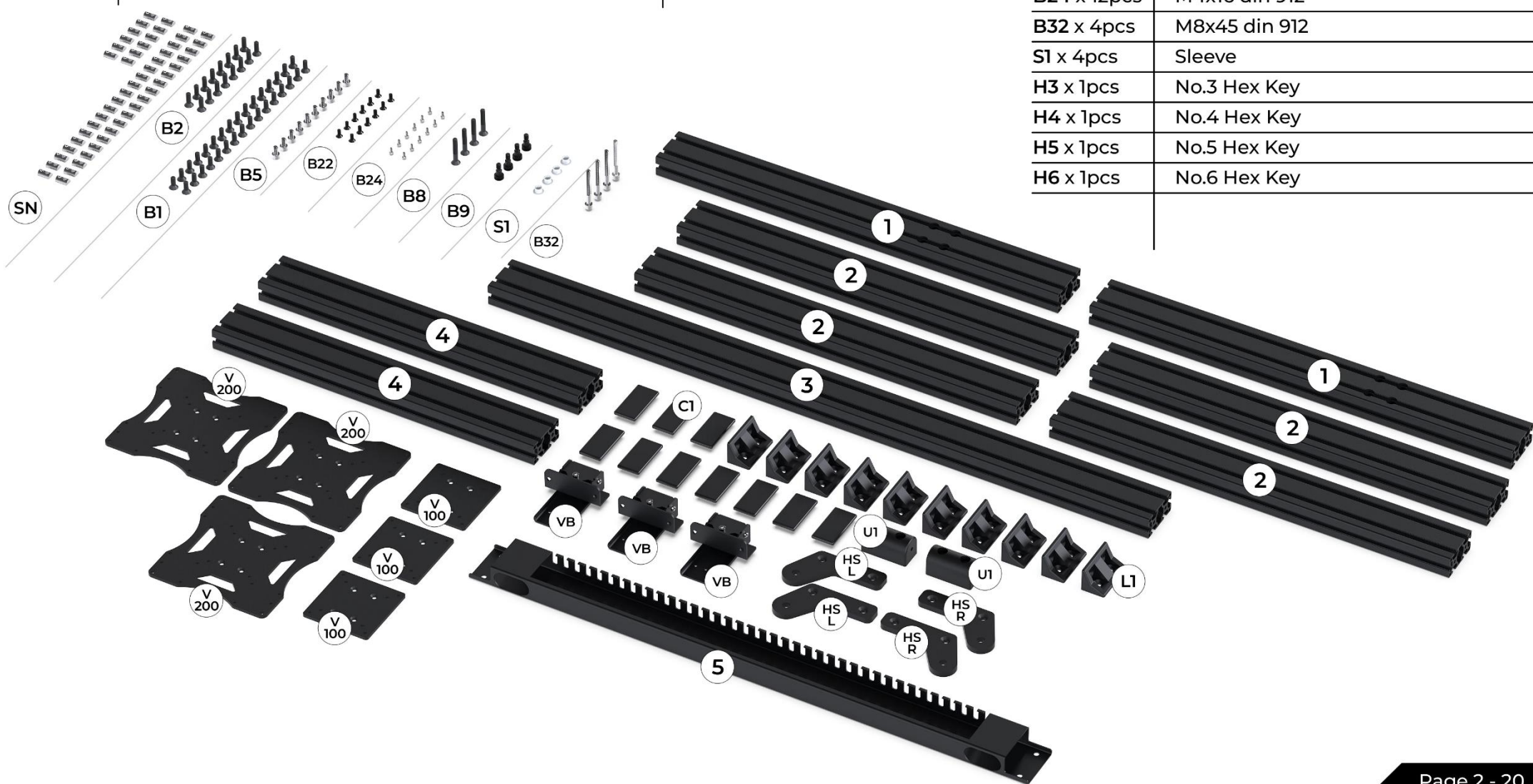
1 x 2pcs	Profile 80x40 L750mm
2 x 4pcs	Profile 80x40 L700mm
3 x 1pcs	Profile 80x40 L1200mm
4 x 2pcs	Profile 80x40 L600mm
5 x 1pcs	Cable holder
HS x 2 pairs	2 x Pair of brackets. 2 x HS-L, 2 x HS-R
L1 x 10pcs	L-Bracket H80mm

Table of contents

C1 x 10pcs	Plastic Cap H80mm
VB x 3 pairs	Vesa Mounting bracket kit
V100 x 3pcs	100x100 VESA Support
V200 x 3pcs	Up to 200x200 VESA Support
U1 x 2pcs	U Mounting bracket

6 Fasteners and tools

SN x 50pcs	T-Nut M8 with ball insert
B1 x 32pcs	M8x16 countersunk
B2 x 16pcs	M8x20 countersunk
B5 x 10pcs	M8x16 din 912
B8 x 4pcs	M8x35 countersunk
B9 x 4pcs	M8x22 Shoulder bolt
B22 x 12pcs	M6x10 countersunk
B24 x 12pcs	M4x16 din 912
B32 x 4pcs	M8x45 din 912
S1 x 4pcs	Sleeve
H3 x 1pcs	No.3 Hex Key
H4 x 1pcs	No.4 Hex Key
H5 x 1pcs	No.5 Hex Key
H6 x 1pcs	No.6 Hex Key



Inserting T-Slot-Nuts:

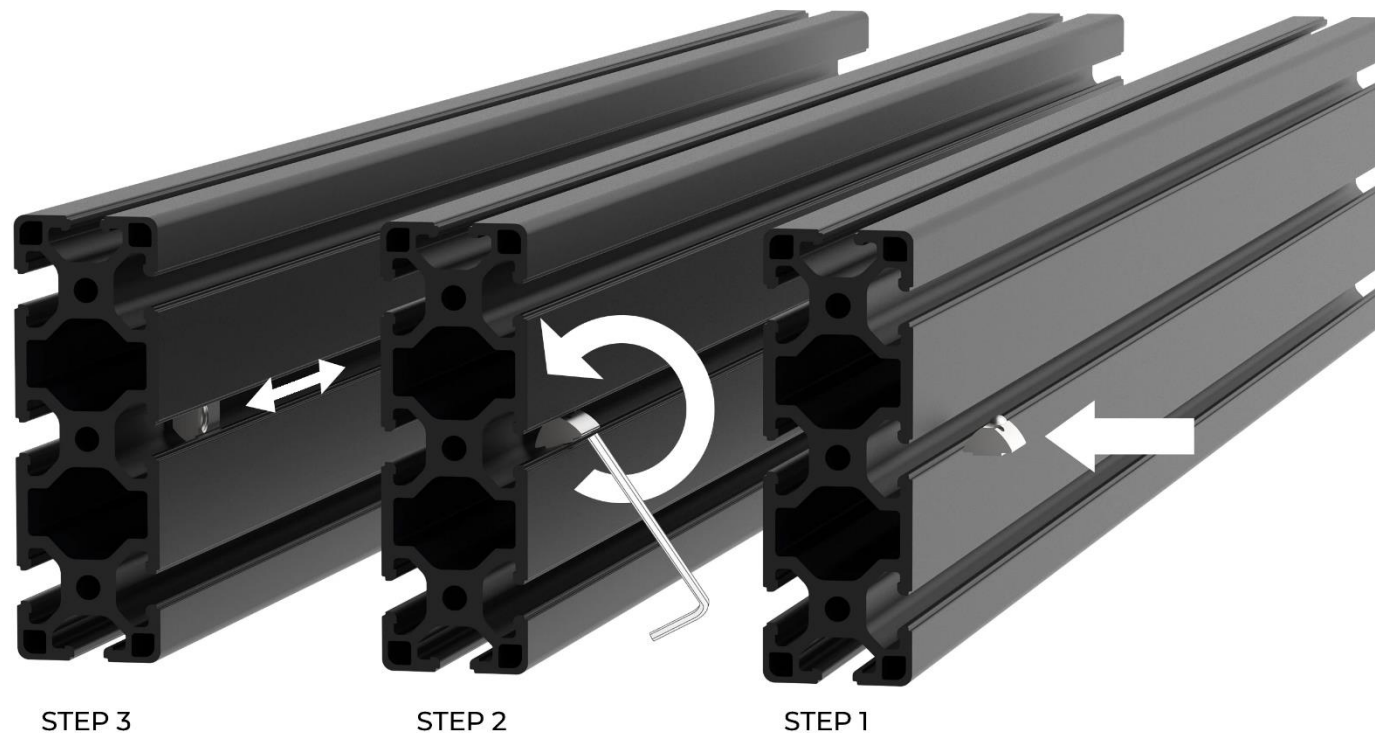
All feature Roll in T-Nut with Ball Spring- M8 thread. It loads either from the profile ends or side. The nut can be easily rolled into the T-Slot. This helps where the profile ends are inaccessible (for example, installing accessories later on) The ball with a spring inside the nut, fixate it into place. It is self-aligning, so the thread will always be in the middle of the T-slot and will not fall down the T-Slot even if it's in vertical position when assembling the chassis (easy for the assembly).

Roll into T-Slot

Step 1: Put the T-Nut (part SN) into the T-Slot channel in horizontal position.

Step 2: Rotate the nut. You can use the No.5 Hex Key to help wiggle the Slot-Nut in place.

Step 3: Set the T-Nut in place. The guide step positions the nut parallel and central within the slot, which makes it easier to move the nut and prevents from twisting during tightening. The spring-loaded ball prevents an unwanted movement of the nut in the slot, which is highly desirable on a bed with the T-slots in a vertical position.

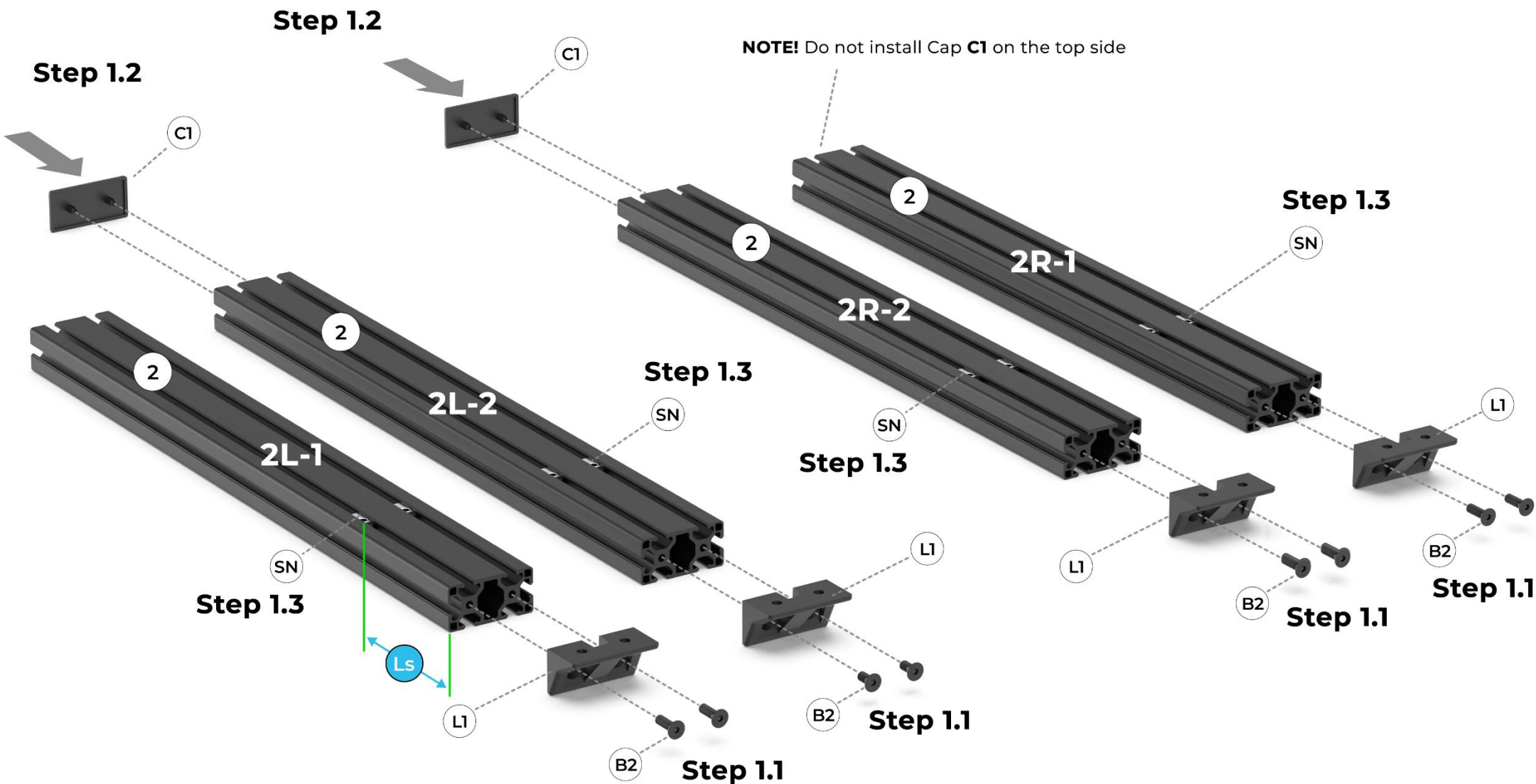


Step 1.1 Install 4 x **L1** Brackets to assemblies **2L-1**, **2L-2** and **2R-1**, **2R-2**. Use 8 x **B2** - M8 x 20 Countersunk per profile. Use **No.5 Hex Key**.

Step 1.2 Install 2 x **C1** Plastic caps to assemblies **2L-2** and **2R-2**. Press by hand.

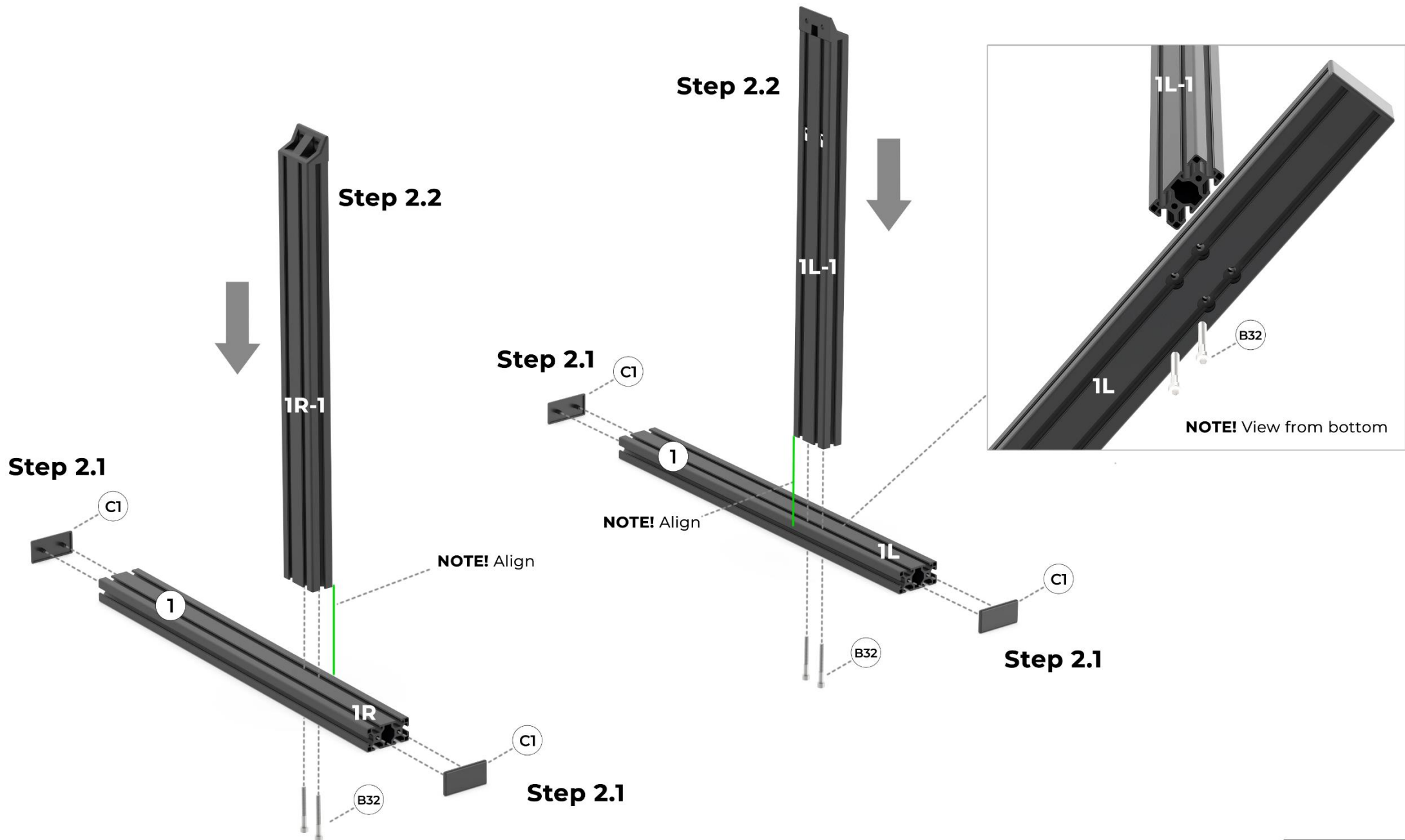
Step 1.3 Insert 2 x **SN** T-Nut to assemblies **2L-1**, **2L-2**, **2R-1** and **2R-2**.

Ls ~ 160mm (6.3 inch).

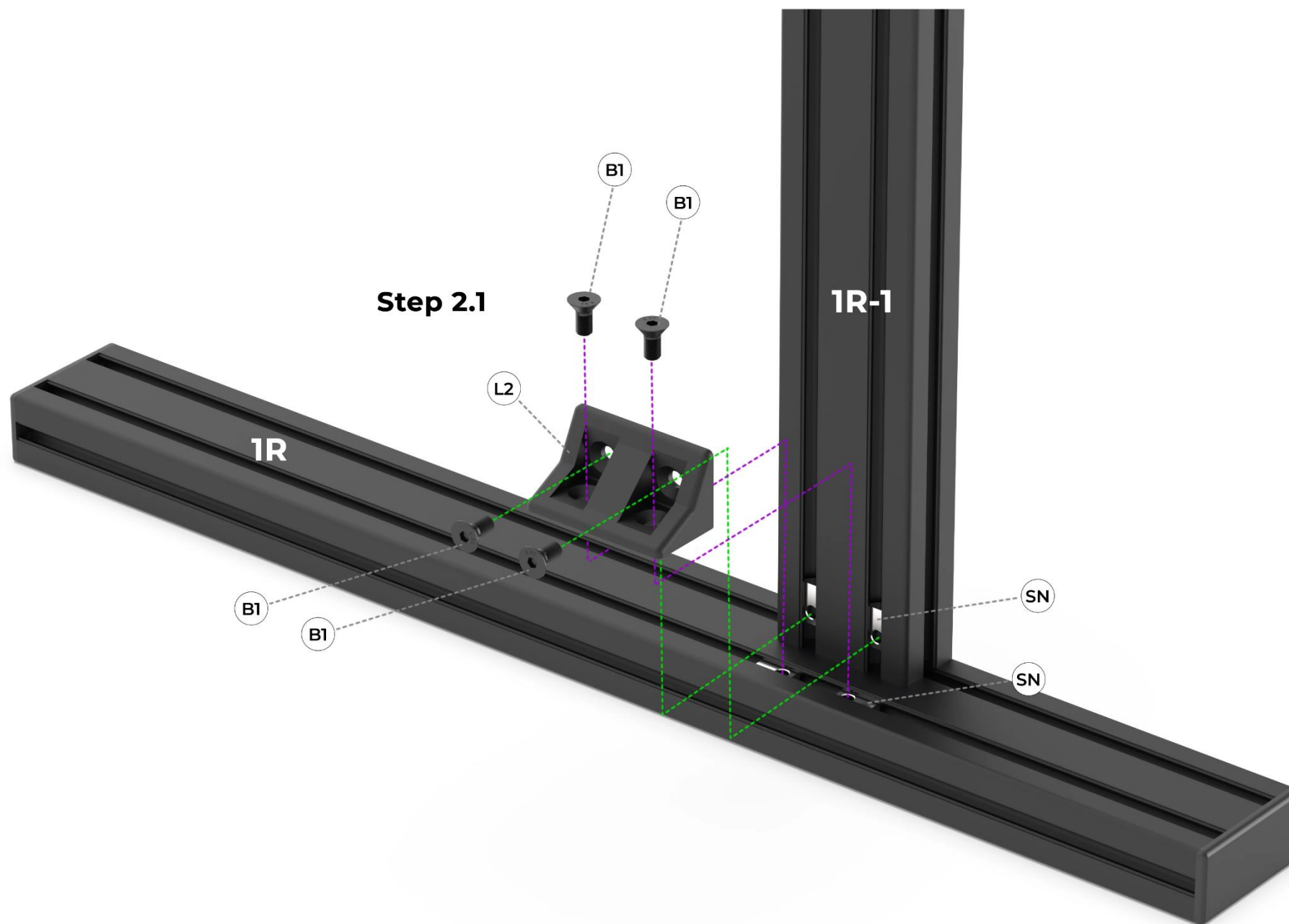


Step 2.1 Install 2 x **C1** Plastic caps to Leg **1L** and **1R**. Press by hand.

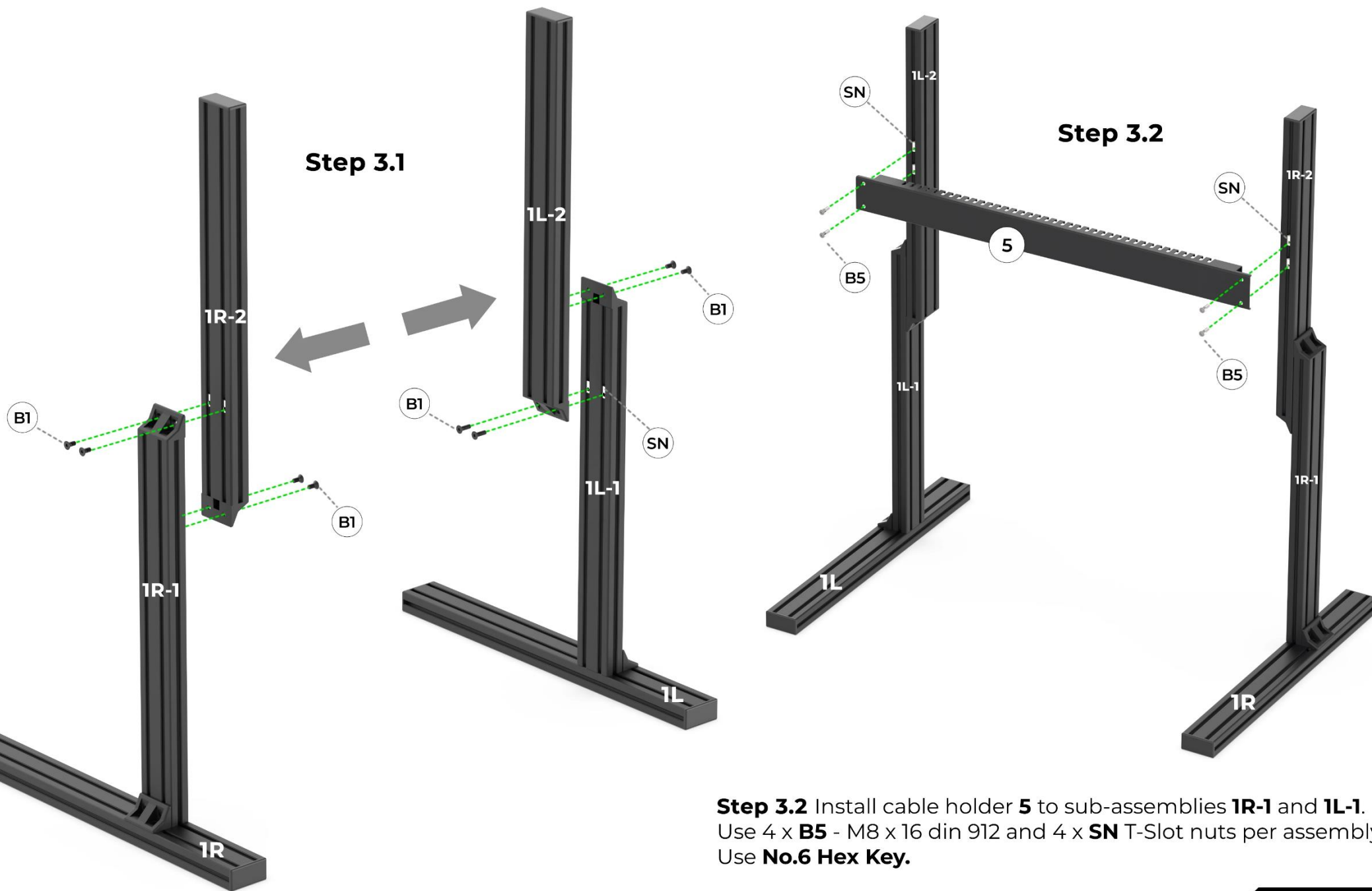
Step 2.2 Install assemblies **1L-1** and **1R-1** to assemblies **1L** and **1R**. Use 2 x **B32** - M8 x 45 din 912 per profile. Use **No.6 Hex Key**.



Step 2.3 Install 2 x **L1** corner brackets to sub-assemblies **1L / 1L-1** and **1R / 1R-1**. Use 4 x **B1** - M8 x 16 Countersunk and 4 x **SN** T-Slot Nuts per sub-assembly. Use **No.5 Hex Key**.

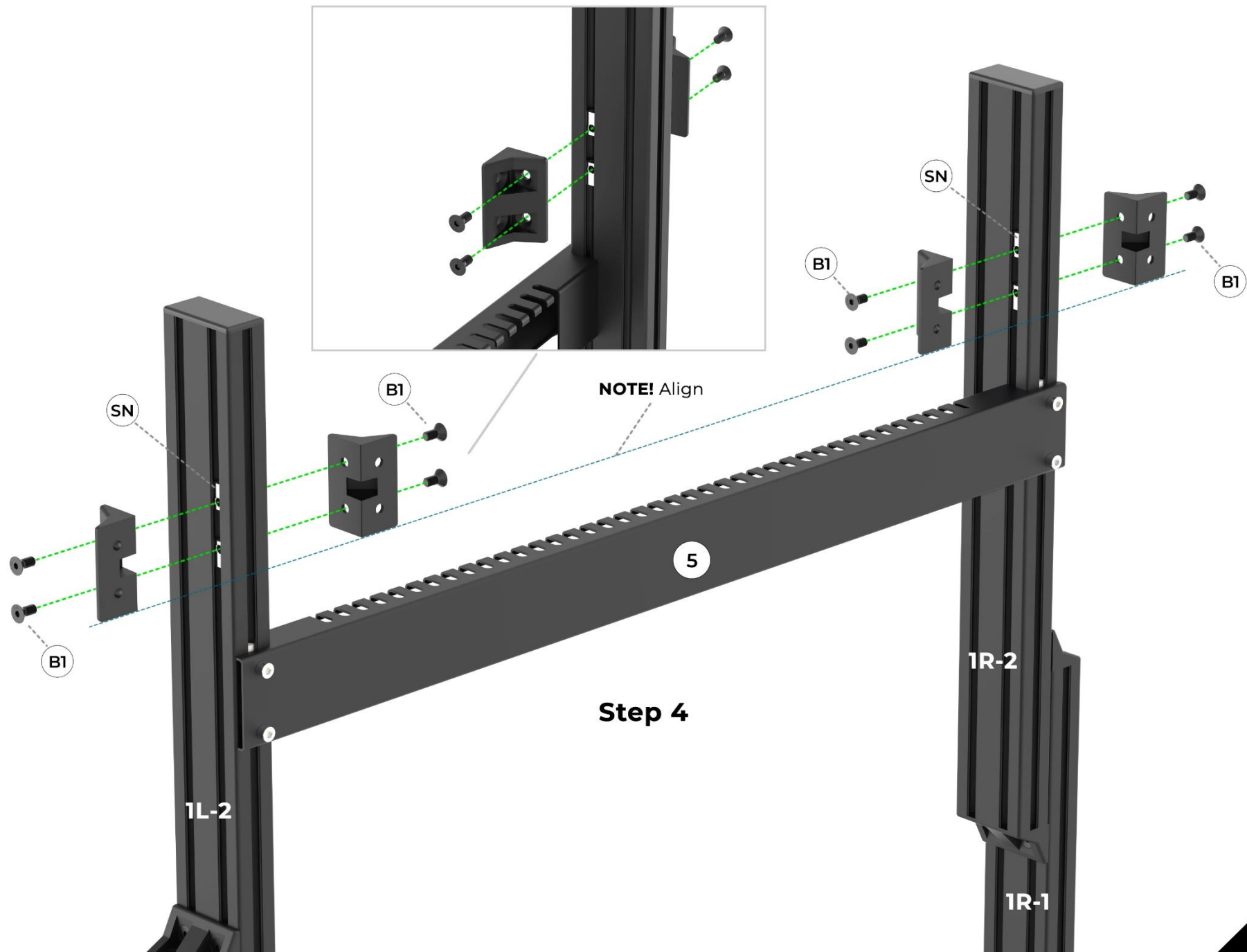


Step 3.1 Install assemblies **1L-2** and **1R-2** to sub-assemblies **1R-1 / 1R** and **1L-1 / 1L**. Use 4 x **B1** - M8 x 16 Countersunk and 4 x **SN** T-Slot nuts per assembly. Use **No.5 Hex Key**.



Step 3.2 Install cable holder **5** to sub-assemblies **1R-1** and **1L-1**. Use 4 x **B5** - M8 x 16 din 912 and 4 x **SN** T-Slot nuts per assembly. Use **No.6 Hex Key**.

Step 4 Install 4 x **L1** brackets to sub-assemblies **1L-2** and **1R-2**. Use 8 x **B1** - M8 x 16 Countersunk and 8 x **SN** T-Slot nuts. Use **No.5 Hex Key**.

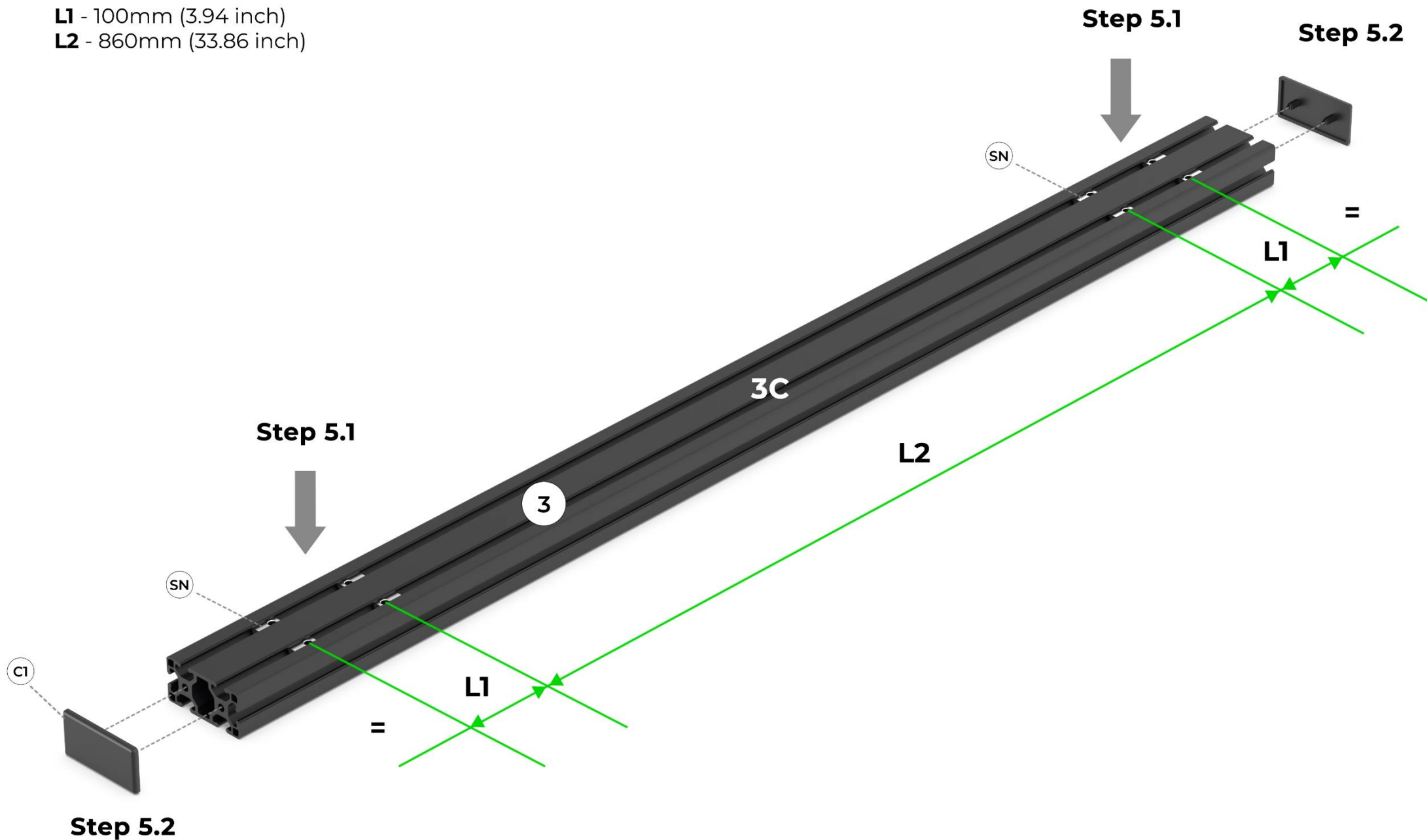


Step 5.1 Install 8 x **SN** T-Slot Nuts.

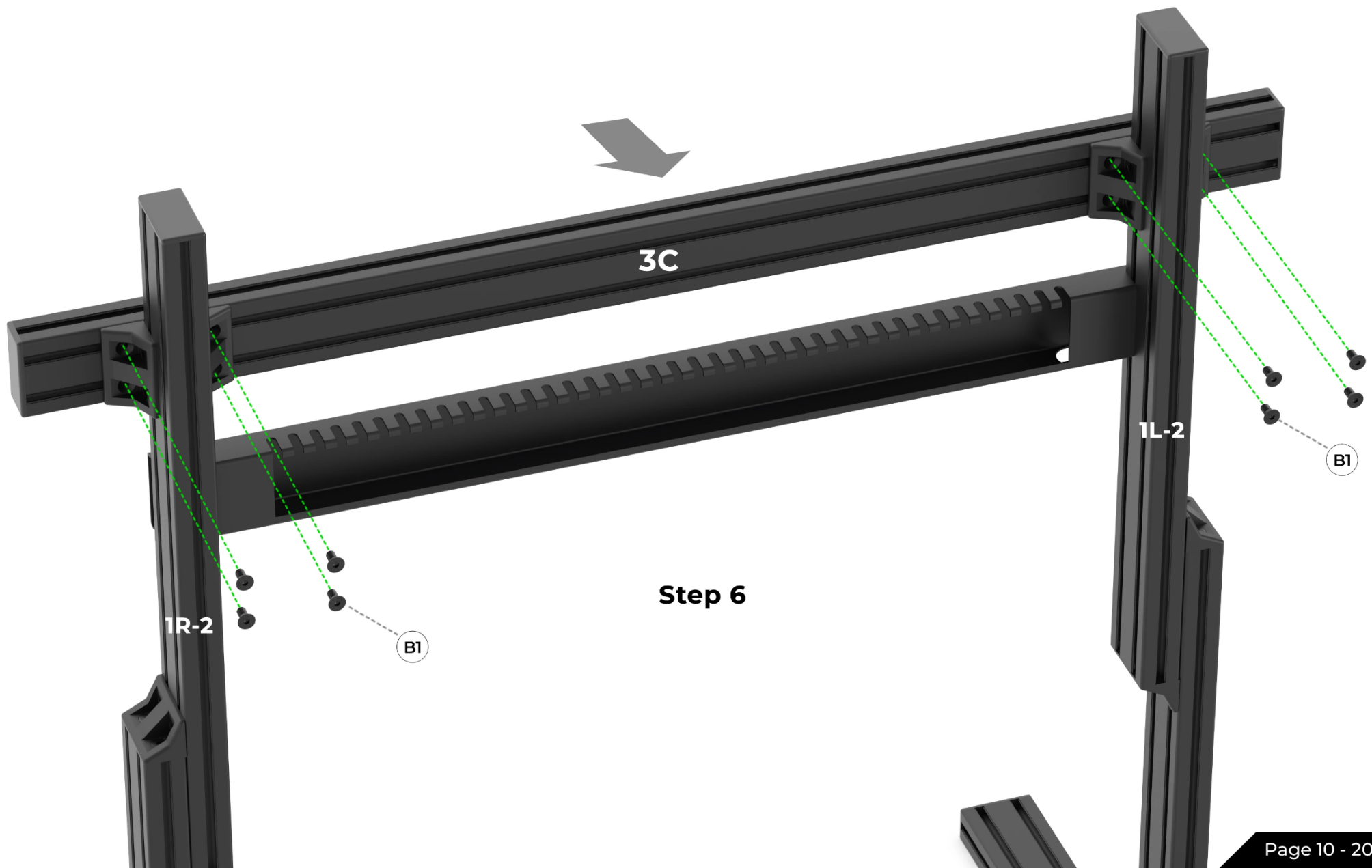
Step 5.2 Install 2 x **C1** Plastic cap to both ends of profile **3**. Press by hand.

L1 - 100mm (3.94 inch)

L2 - 860mm (33.86 inch)



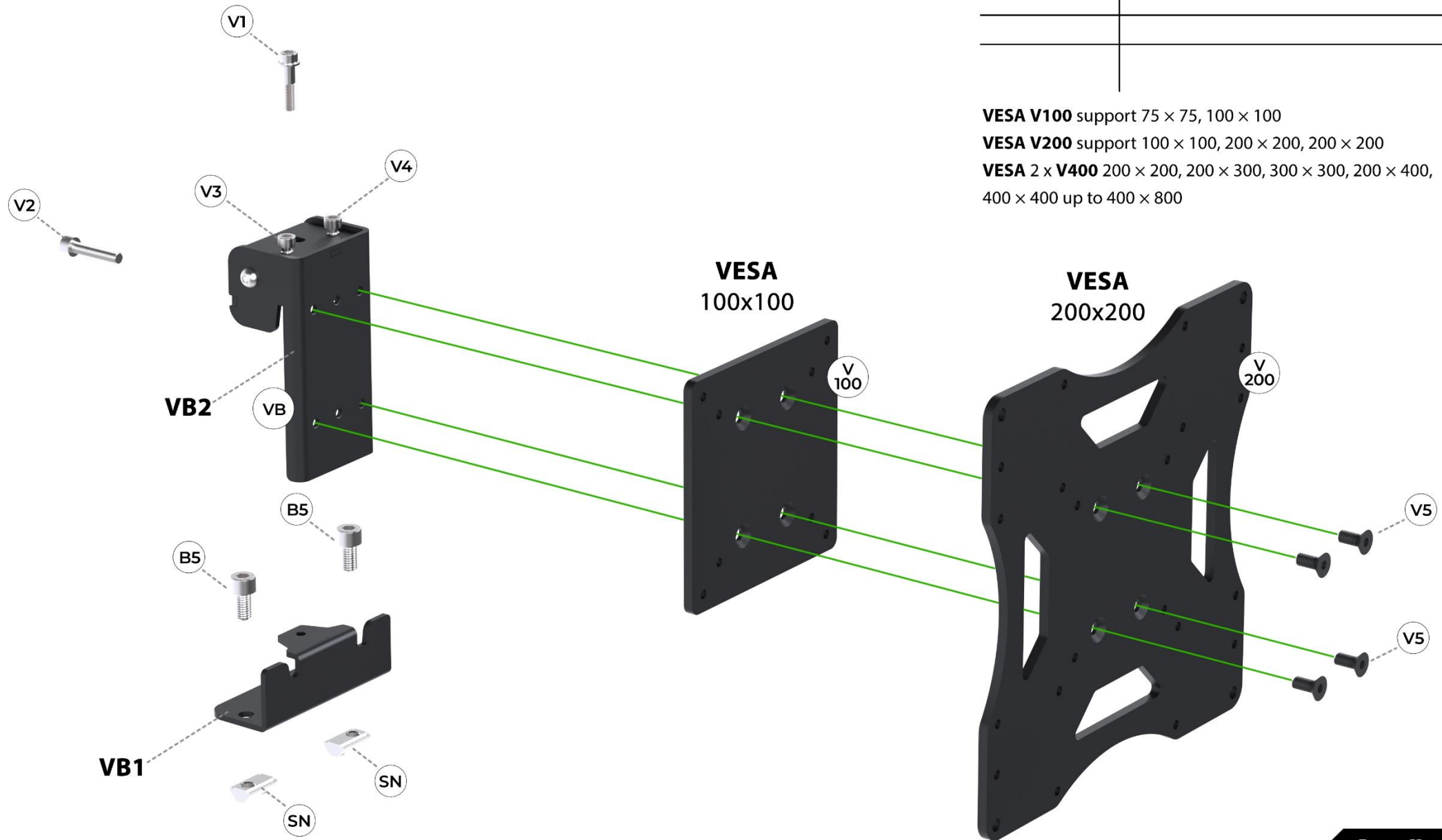
Step 6 Install assembly **3C** to assemblies **1L-2** and **1R-2**. Use 8 x **B1** - M8 x 16 Countersunk. Use **No.5 Hex Key**.



Step 7 VESA Assembly and setup.

If **VESA** up to **100x100** - Connect **V100** to **VB2** using 4 x **V57** M6x10mm countersunk.

If **VESA** up to **200x200** - Connect **V200** to **VB2** using 4 x **BV7** M6x10mm countersunk.

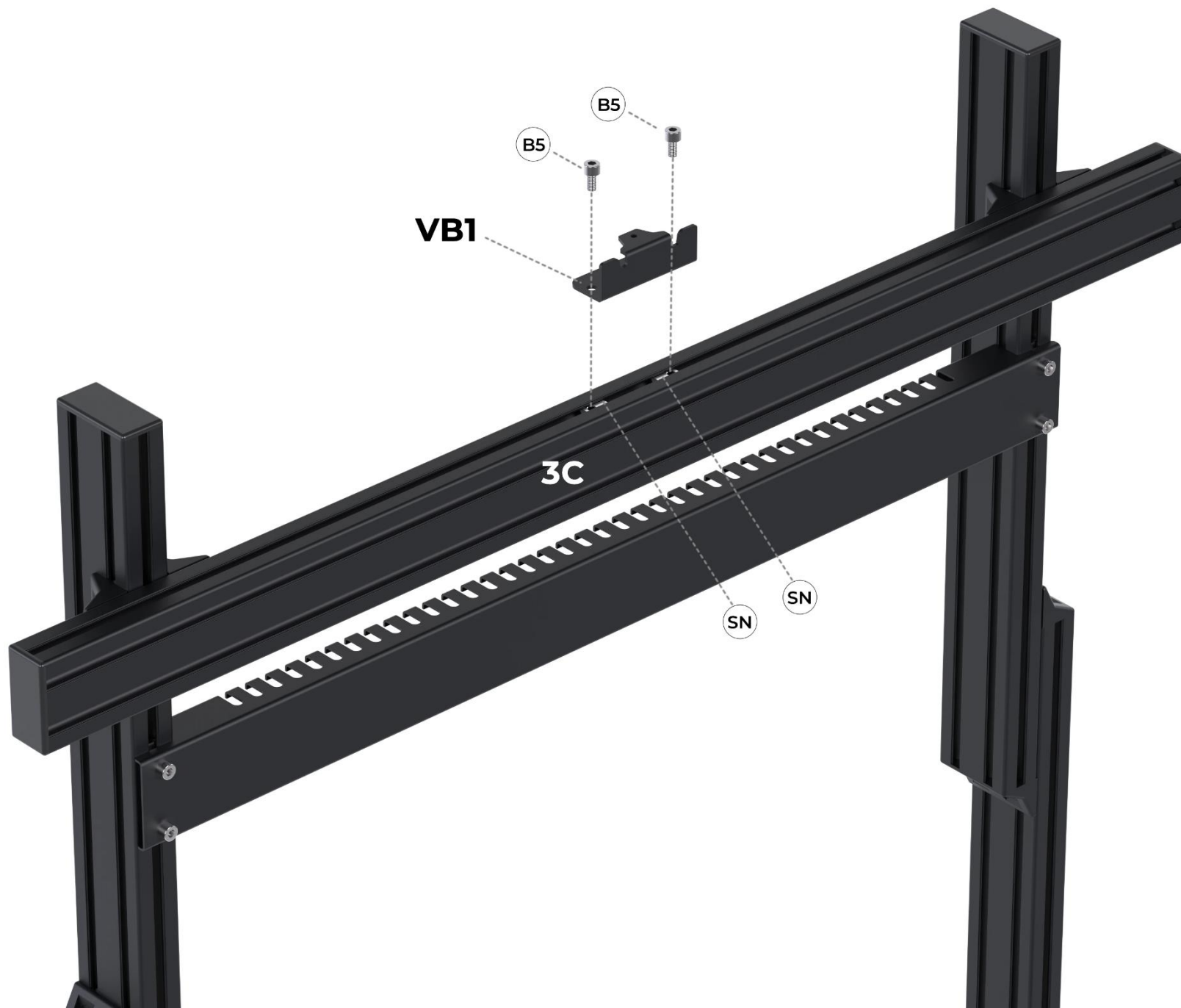


6 Fasteners and tools

V1 x 3pcs	M6x25 din 912
V2 x 3pcs	M6x35 din 912
V3, V4 x 6pcs	M8x16 din 912
V5 x 12pcs	M6x10 countersunk

VESA V100 support 75 × 75, 100 × 100
VESA V200 support 100 × 100, 200 × 200, 200 × 200
VESA 2 x V400 200 × 200, 200 × 300, 300 × 300, 200 × 400, 400 × 400 up to 400 × 800

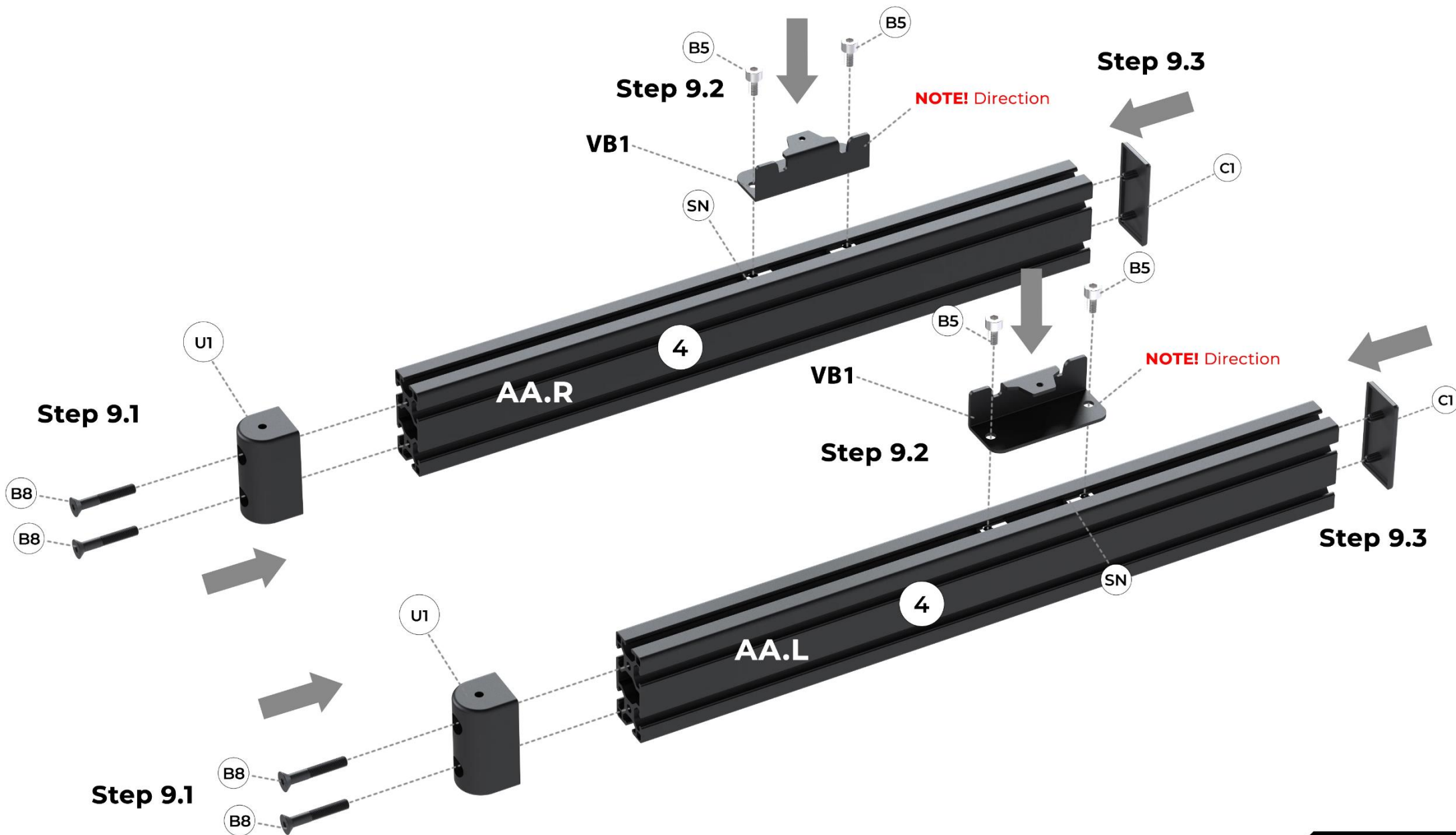
Step 8 For VESA 100x100 and VESA 200x200 Install **VB1** (VESA Mounting bracket. See step 6) to Assembly **3C**. Use 2 x **B5** - M8 x 16 din 912 and 2 x **SN** T-Slot Nuts. Use **No.6 Hex Key**.



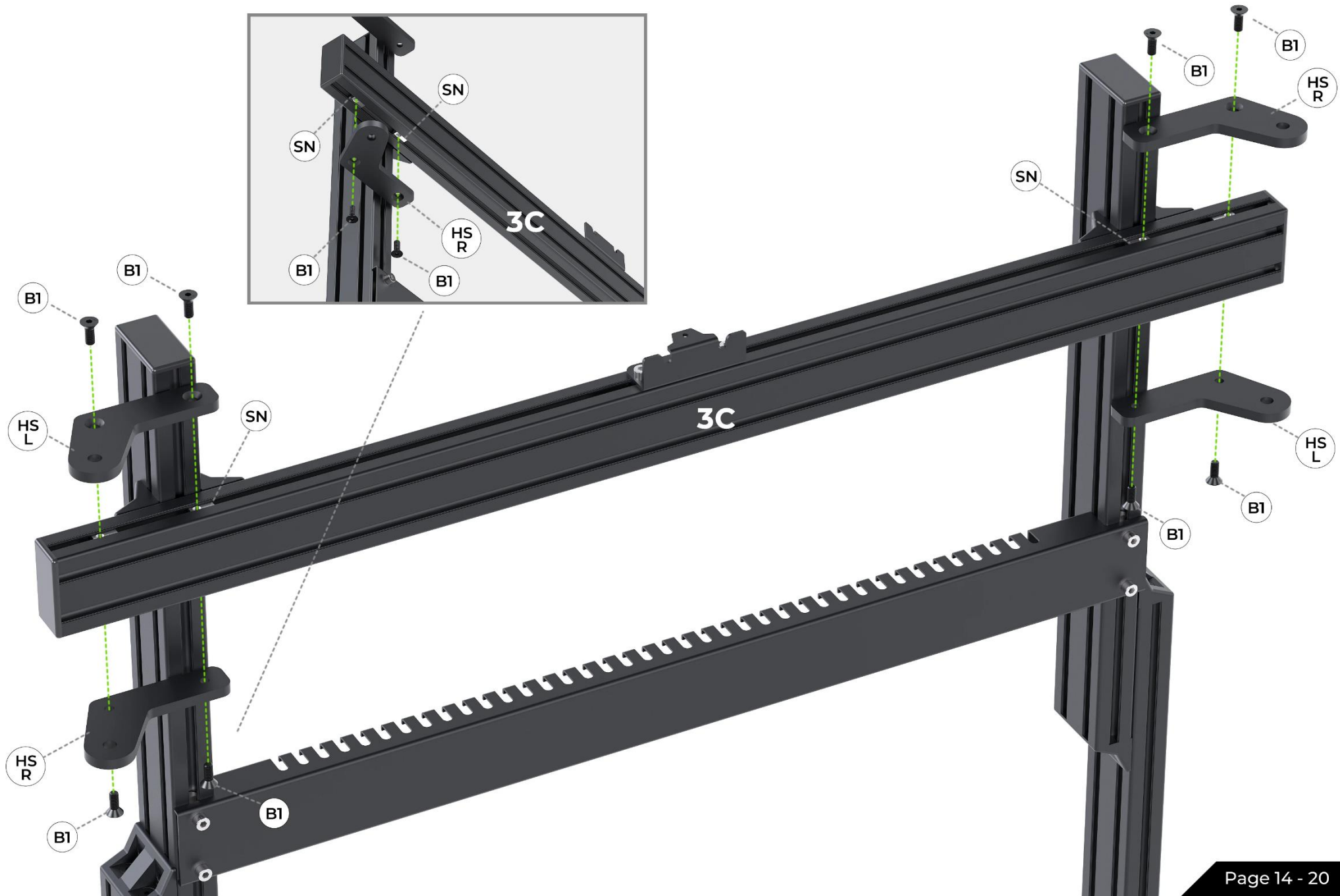
Step 9.1 Install pair of **U1** Brackets to pair of Profile **4** to form assemblies **AA.L** and **AA.R**. Use 4 x **B8** - M8 x 35 Countersunk. Use **No.5 Hex Key**.

Step 9.2 Install **VB1** VESA Mounting bracket to Assembly **AA.R** and **AA.L**. Please note the direction. Use 2 x **B5** - M8 x 16 din 912 and 2 x **SN** T-Slot Nuts per assembly. Use **No.6 Hex Key**.

Step 9.3 Install 2 x **C1** Plastic cap to end of profile **4**. Press by hand.



Step 10 Install Brackets **2 x HS-L** and **2 x HS-R** to Assembly **3C**. Use 8 x **B1** - M8 x 16 Countersunk and 8 x **SN** T-Slot Nuts. Do not tight the **B1** fasteners yet. Allow to freely move the **HS** brackets left or right on **3C** profile. Use **No.5 Hex Key**.
NOTE! Each **HS** brackets has a specific position on **3C** Assembly.



Step 10 Install the left and right articulating arms **AA.L** and **AA.R**. Use 4 x **B9** - M8 x 22 Shoulder bolt and 4 x **S1** - Sleeve. Use **No.5 Hex Key**.



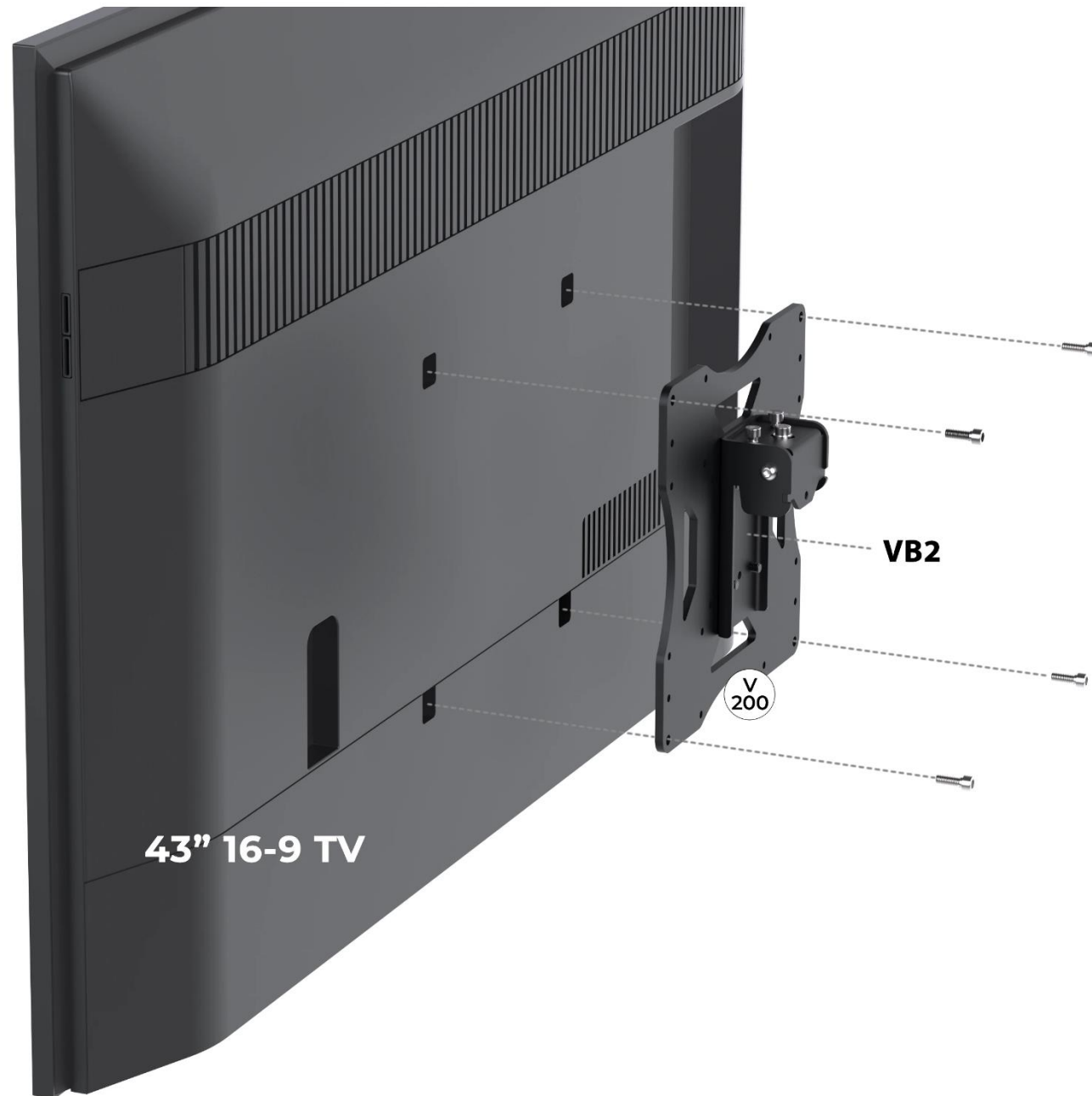
Step 12A Install **V100/VB2** assembly to Monitor with the supported fasteners. In this case, we use the provided 4 x **B24** M4x16 din 912 and VESA 100x100 support. Use **No.3 Hex Key**.

NOTE! Do this step for all three Monitors.



Step 12B Install **V200/VB2** assembly to Monitor with the supported fasteners. In this case, we use 4 x M6x20 din 912 and VESA 200x200 support. Use **No.5 Hex Key**.

NOTE! Do this step for all three tv's.



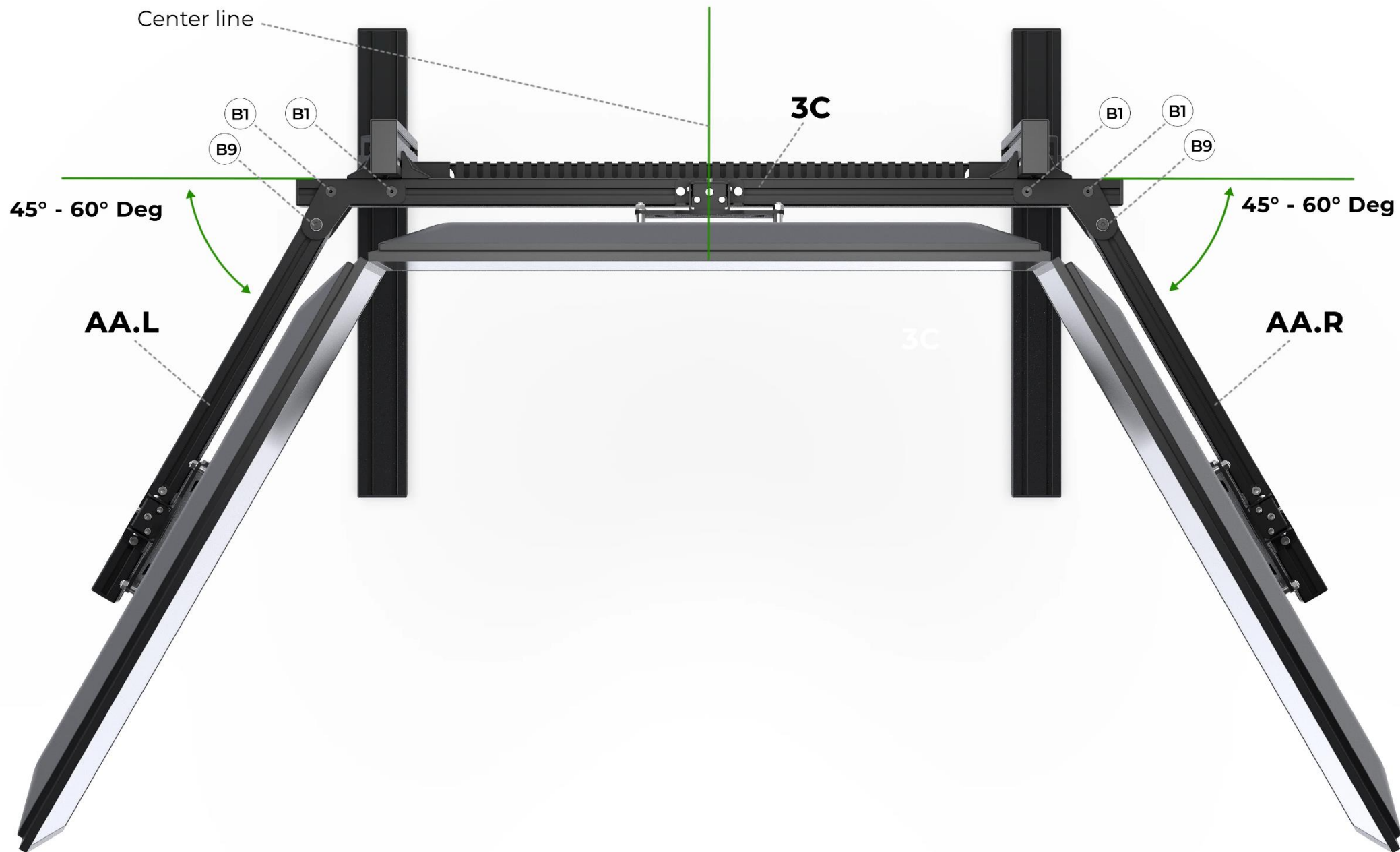
Step 13.1 Install **VB2** assembly to **VB1** bracket. Slide the monitor down on the **VB1** bracket.

Step 13.2 Adjust the horizontal alignment. Set up the horizontal alignment via **V3** and **V4** bolts. Use **No.5 Hex Key**.

Step 13.3 Lock the horizontal alignment position with **V1**. Secure the entire assembly with **V2** bolt. Use **No.5 Hex Key**. Proceed with the side monitors.



- Step 14.1** Adjust the side monitors position by moving and swing **AA.L** and **AA.R** assemblies. Align all three monitors.
- Step 14.2** Lock **AA.L** and **AA.R** Horizontal position by **B1** M8 x 16 (top and bottom side on both ends) . Use **No.5 Hex Key**.
- Step 14.3** Lock **AA.L** and **AA.R** rotation by **B9** M8 x 22 Shoulder bolt . Use **No.5 Hex Key**.



Your **TX32** Triple screen TV / Monitor stand is ready!
Thank you for choosing us!
If you still need help, contact us at
<https://rseat.net/contact-us/> or by Live Chat

